

SIZE 2-5 ADJUSTABLE BACKCHECK CLOSER WITH HOLD OPEN ARM
SIZE 2-5 ADJUSTABLE BACKCHECK & DELAYED ACTION CLOSER
WITH HOLD OPEN ARM



WARNING
 DOOR CLOSER POWER #1 & 2 AND THOSE SUPPLIED
 WITH MECHANICAL HOLD OPEN DEVICES MUST NOT BE
 INSTALLED ON FIRE / SMOKE DOORS.

2130/104/00
 ISSUE 02

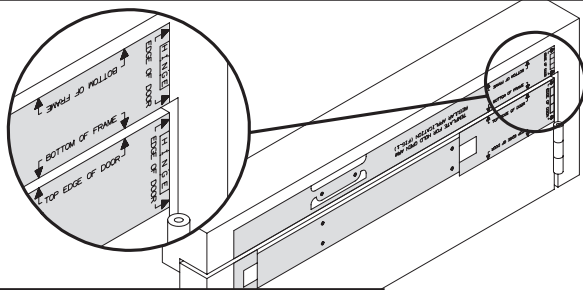
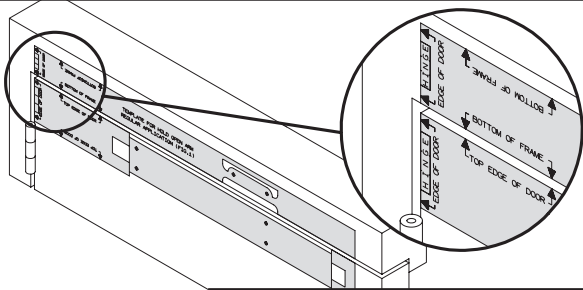
IMPORTANT - A DOOR STOP SHOULD BE FITTED TO PREVENT DOOR FROM OPENING BEYOND LIMIT OF HOLD OPEN ARM

PULL SIDE - REGULAR APPLICATION (FIG. 1)

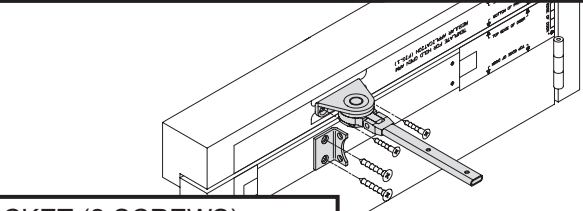
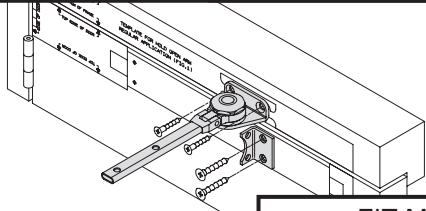
ANGLE OF OPENING 130° SUBJECT TO HINGE & SURROUNDING STRUCTURE
 HOLD OPEN ANGLE IS ADJUSTABLE BETWEEN 80° - 130° APPROX

R.H. DOOR

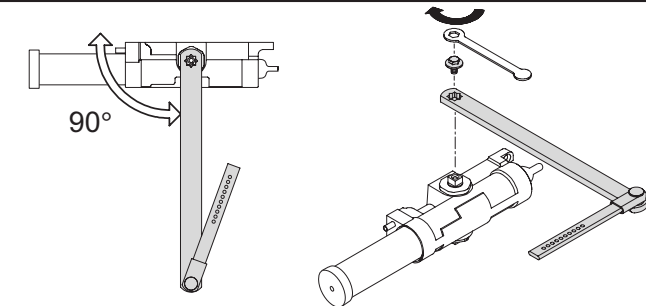
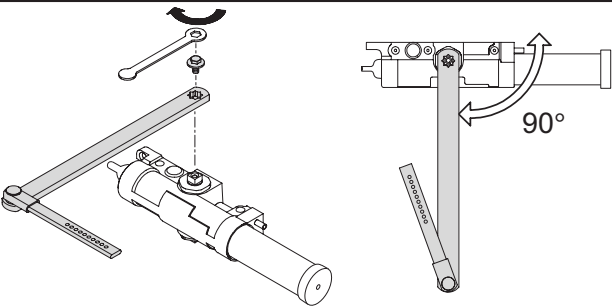
L.H. DOOR



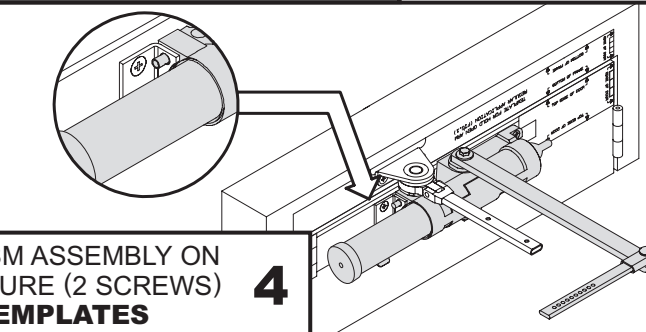
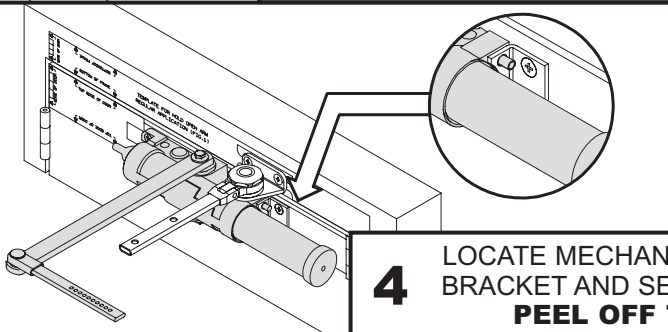
1 PEEL TEMPLATES OFF BACKING PAPER
 POSITION ON DOOR/FRAME PILOT DRILL 6 HOLES **1**



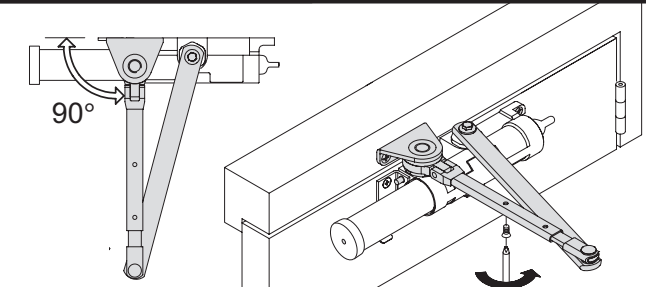
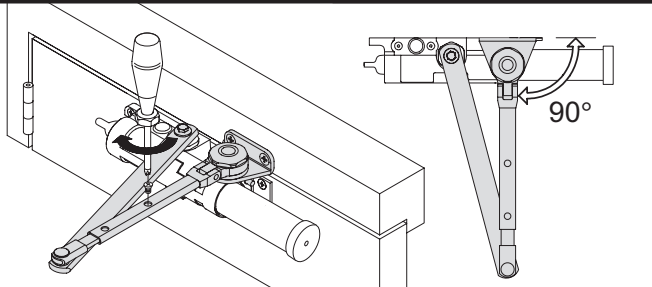
2 FIT MECHANISM BRACKET (2 SCREWS)
 FIT ARM BRACKET ASSEMBLY (2 SCREWS) **2**



3 FIT MAIN ARM ASSEMBLY TO MECHANISM (90°)
 SECURELY TIGHTEN FIXING SCREW WITH SPANNER **3**



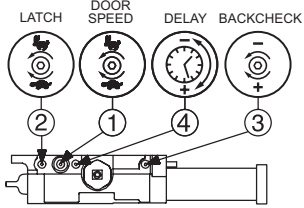
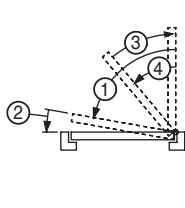
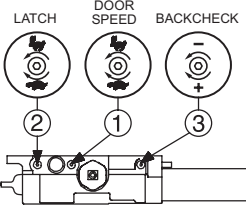
4 LOCATE MECHANISM ASSEMBLY ON
 BRACKET AND SECURE (2 SCREWS)
PEEL OFF TEMPLATES **4**



5 OPEN DOOR TO ENGAGE SECONDARY ARM STRIP AND TUBE
 CLOSE DOOR AND SET SECONDARY ARM AT 90° TO DOOR FACE
 SECURELY TIGHTEN CLAMP SCREW WITH SCREWDRIVER **5**

BACKCHECK CLOSER

BACKCHECK & DELAYED ACTION CLOSER



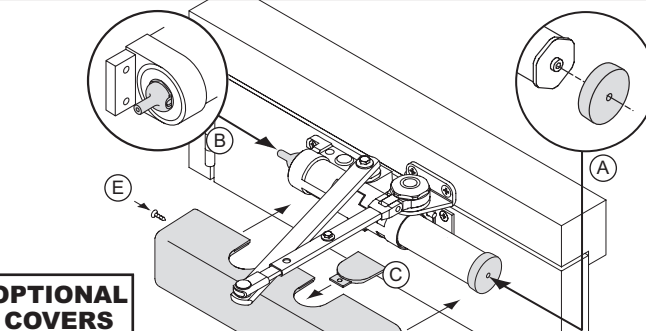
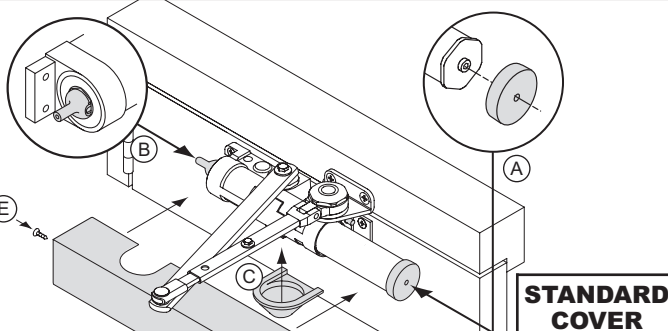
TO ADJUST HOLD OPEN ANGLE:
 (A) LOOSEN HOLD OPEN NUT
 (B) OPEN DOOR TO REQUIRED HOLD OPEN ANGLE
 (C) SECURELY TIGHTEN HOLD OPEN NUT

6 ADJUST HOLD OPEN ANGLE
 FOLLOWING STEPS SHOWN
 IF NECESSARY ADJUST
 POWER AND DOOR SPEEDS **6**

POWER (FIG.1)

FACTORY SET TO SIZE 3

CLOSER POWER SIZE	NUMBER OF TURNS (APPROX)
2	-3
3	0
4	+3
5	+9



7 FIT COVER TO CLOSER
 FOLLOWING STEPS SHOWN
 (2 SCREWS) **7**

CLOSER POWER

DOOR SIZE

#1
 20kg
 750 MAX

#2
 40kg
 850 MAX

#3
 60kg
 950 MAX

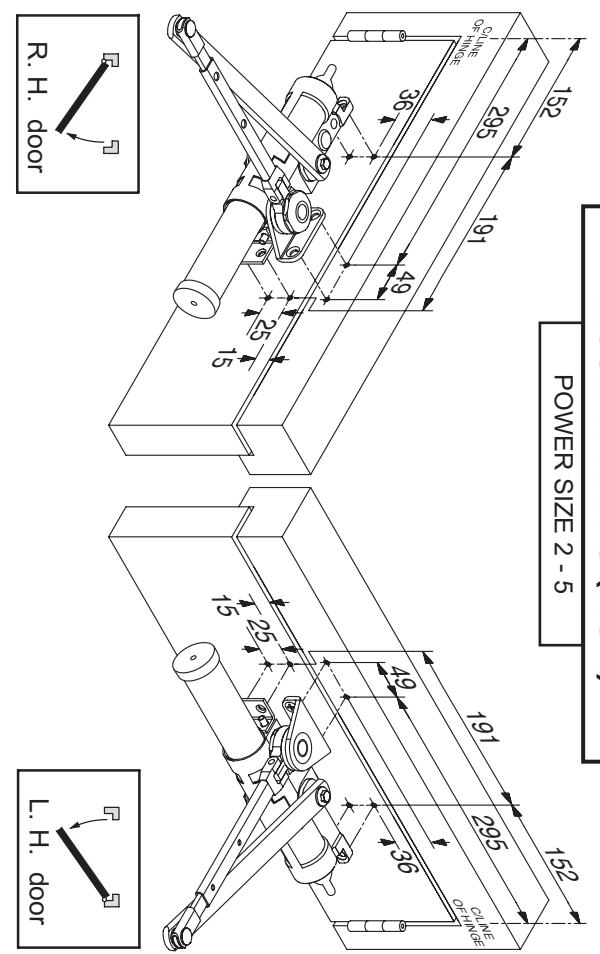
#4
 80kg
 1100 MAX

#5
 100kg
 1250 MAX

#6
 120kg
 1400 MAX

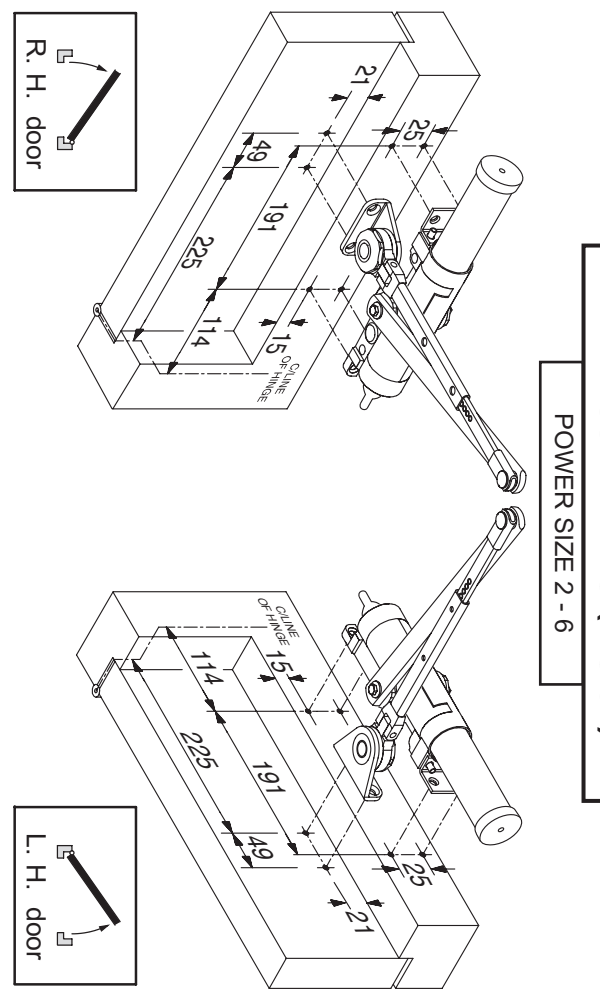
FOR TRANSON AND PARALLEL ARM INSTALLATION PROCEDURE SEE OVERLEAF
MAINTENANCE (Quarterly) Check that the door closer closes the door correctly and fixing screws are tight. Periodically apply light oil to arm knuckle joints and door hinges.

NOTE - all dimensions are in millimetres



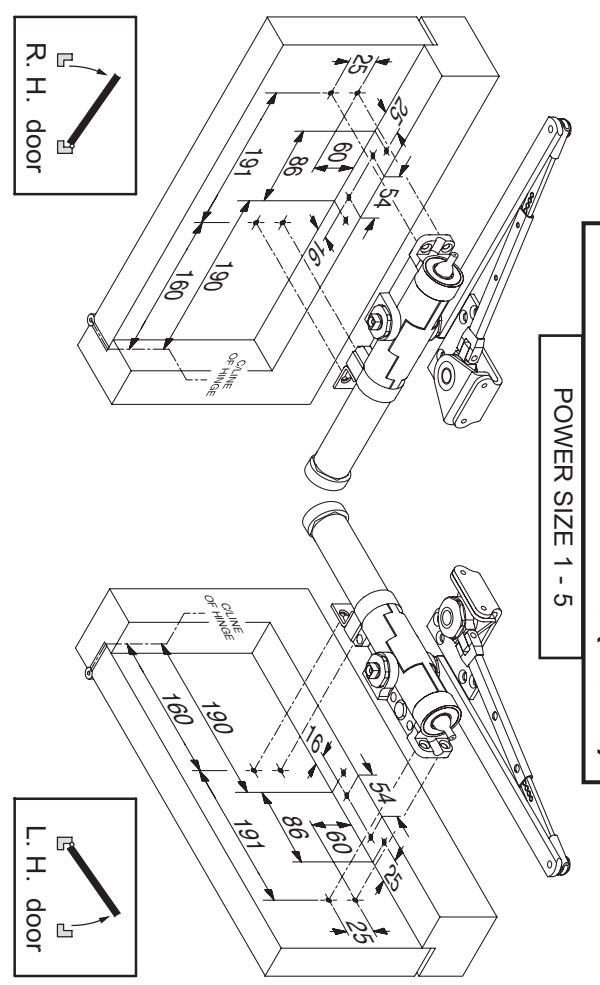
REGULAR FIXING (FIG.1)

POWER SIZE 2 - 5



TRANSON AND PARALLEL ARM FIXING (FIG.61)

POWER SIZE 2 - 6



PARALLEL ARM FIXING (FIG.66)

POWER SIZE 1 - 5

IMPORTANT - A DOOR STOP SHOULD BE FITTED TO PREVENT DOOR FROM OPENING BEYOND LIMIT OF HOLD OPEN ARM

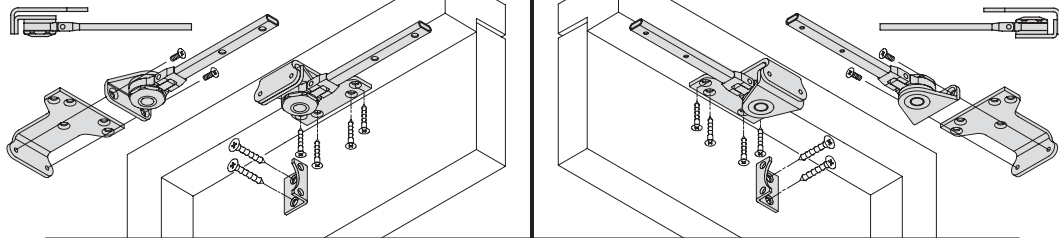
PUSH SIDE - PARALLEL ARM APPLICATION (FIG.66)

ANGLE OF OPENING 180° SUBJECT TO HINGE & SURROUNDING STRUCTURE
HOLD OPEN ANGLE IS ADJUSTABLE BETWEEN 80° - 180° APPROX

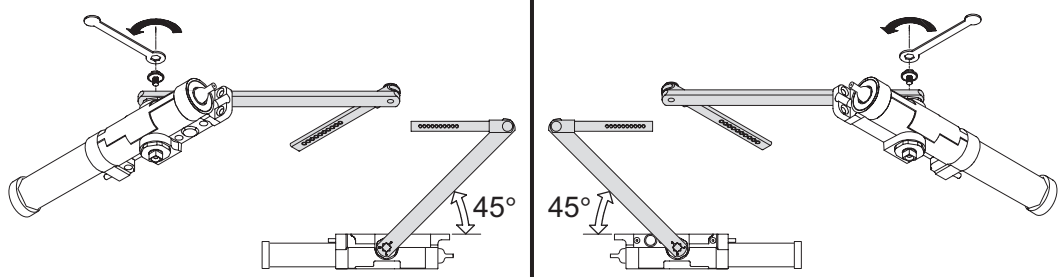
R.H. DOOR

L.H. DOOR

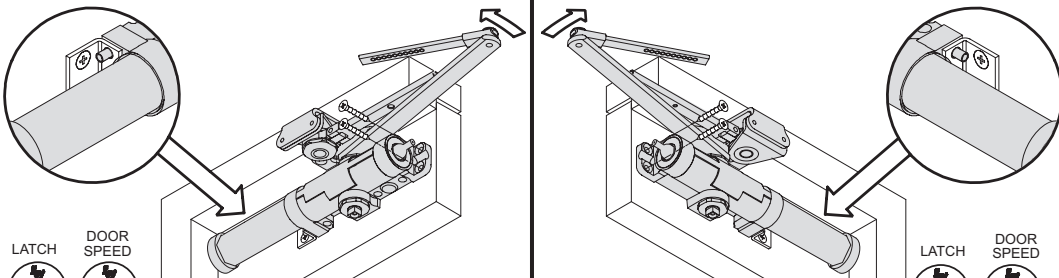
1 MARK OUT DOOR/FRAME AS DETAILED OVERLEAF **1**
PILOT DRILL 8 HOLES



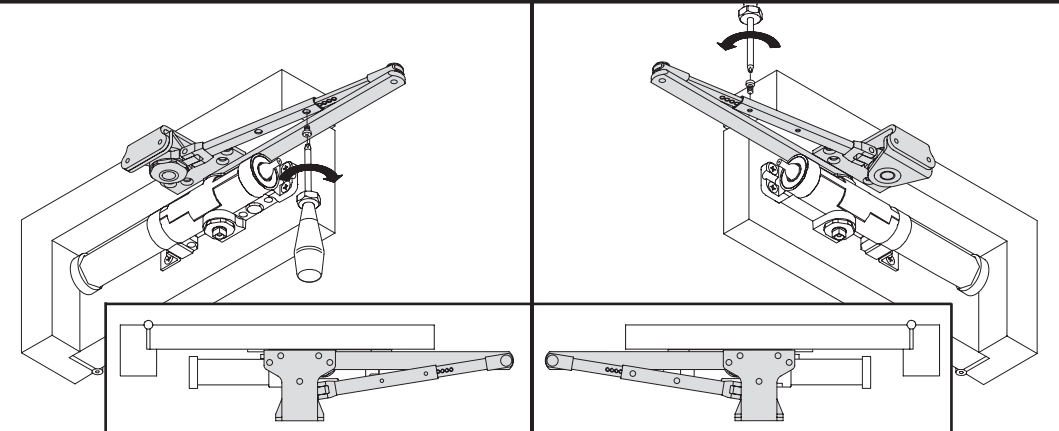
2 FIT MECHANISM BRACKET (2 SCREWS)
FIT ARM BRACKET ASSEMBLY TO FIG.66 BRACKET (2 SCREWS)
FIT BRACKET ASSEMBLY TO FRAME (4 SCREWS) **2**



3 FIT MAIN ARM ASSEMBLY TO MECHANISM (45°)
SECURELY TIGHTEN FIXING SCREW WITH SPANNER **3**



4 FULLY CLOSE DOOR SPEED AND LATCH REGULATORS
PULL MAIN ARM FORWARD
LOCATE MECHANISM ASSEMBLY ON BRACKET AND SECURE (2 SCREWS) **4**



5 OPEN DOOR TO ENGAGE SECONDARY ARM STRIP AND TUBE
CLOSE DOOR AND SET MAIN ARM PARALLEL TO DOOR FACE
SECURELY TIGHTEN CLAMP SCREW WITH SCREWDRIVER **5**

IMPORTANT - A DOOR STOP SHOULD BE FITTED TO PREVENT DOOR FROM OPENING BEYOND LIMIT OF HOLD OPEN ARM

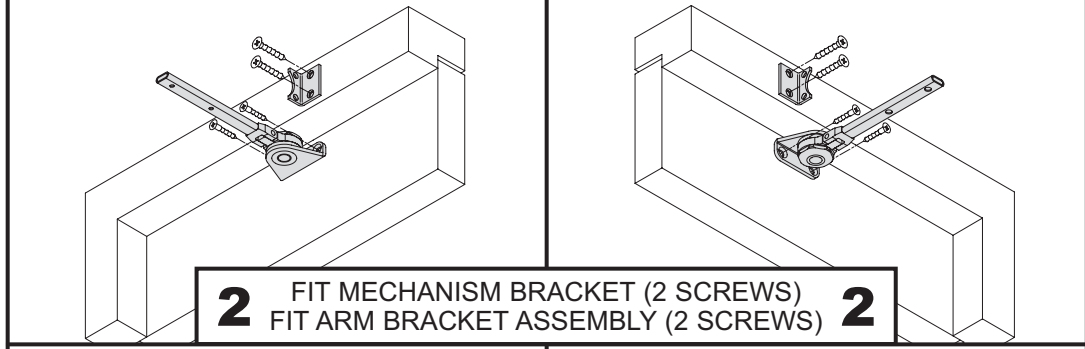
PUSH SIDE - TRANSOM APPLICATION (FIG.61)

ANGLE OF OPENING 180° SUBJECT TO HINGE & SURROUNDING STRUCTURE
HOLD OPEN ANGLE IS ADJUSTABLE BETWEEN 80° - 180° APPROX

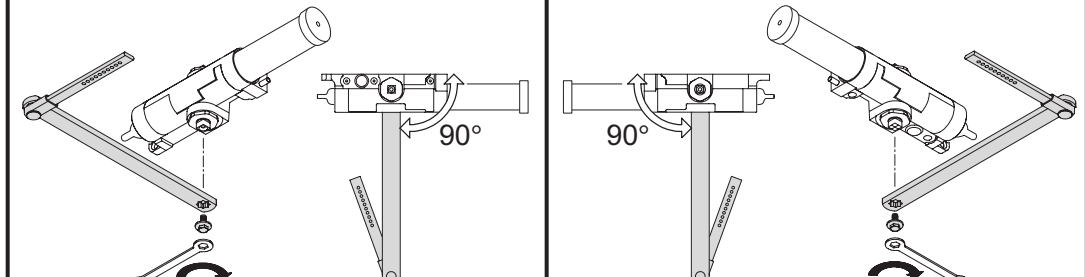
R.H. DOOR

L.H. DOOR

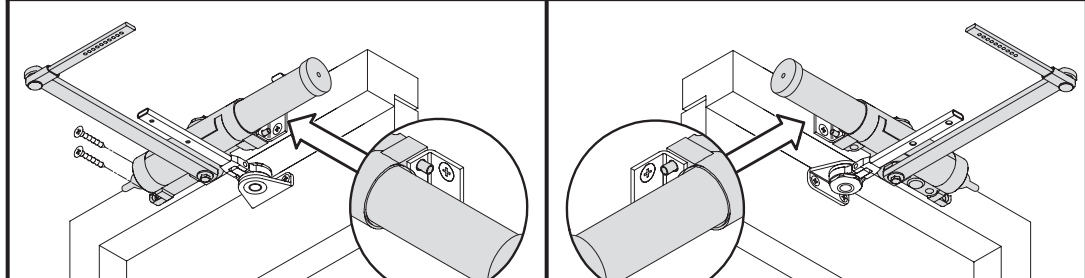
1 MARK OUT DOOR/FRAME AS DETAILED OVERLEAF **1**
PILOT DRILL 6 HOLES



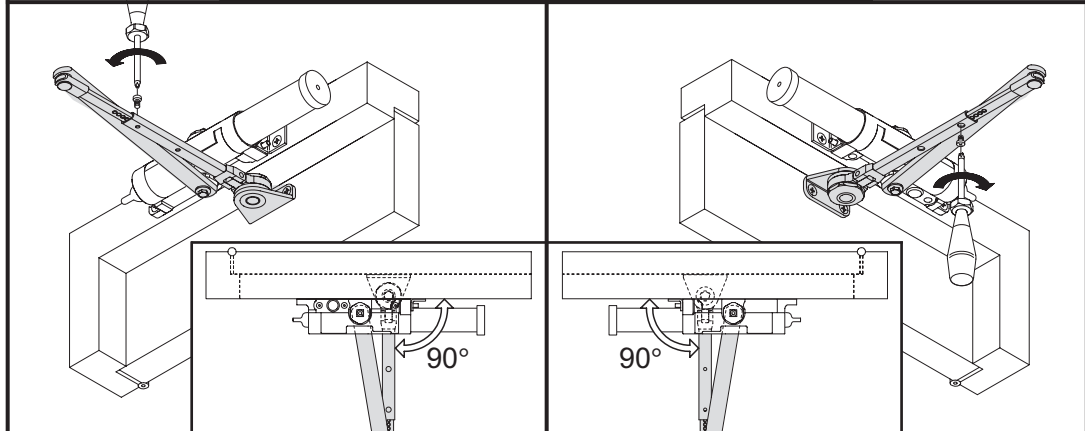
2 FIT MECHANISM BRACKET (2 SCREWS)
FIT ARM BRACKET ASSEMBLY (2 SCREWS) **2**



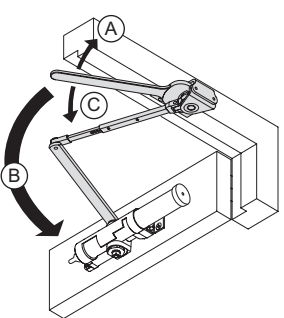
3 FIT MAIN ARM ASSEMBLY TO MECHANISM (90°)
SECURELY TIGHTEN FIXING SCREW WITH SPANNER **3**



4 LOCATE MECHANISM ASSEMBLY ON BRACKET AND SECURE (2 SCREWS) **4**



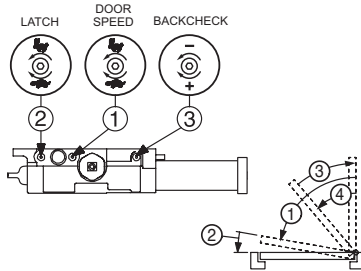
5 OPEN DOOR TO ENGAGE SECONDARY ARM STRIP AND TUBE
CLOSE DOOR AND SET SECONDARY ARM AT 90° TO DOOR FACE
SECURELY TIGHTEN CLAMP SCREW WITH SCREWDRIVER **5**



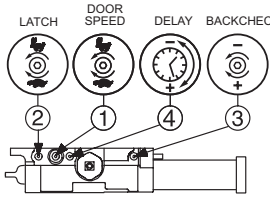
POWER (FIG.66)

FACTORY SET TO SIZE 3	
CLOSER POWER SIZE	NUMBER OF TURNS (APPROX)
1	-6
2	-4
3	0
4	+4
5	+10

BACKCHECK CLOSER

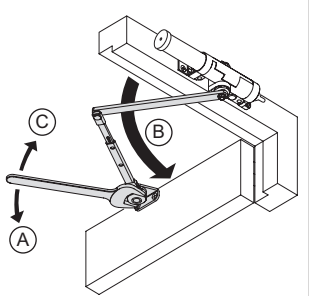


BACKCHECK & DELAYED ACTION CLOSER



POWER (FIG.61)

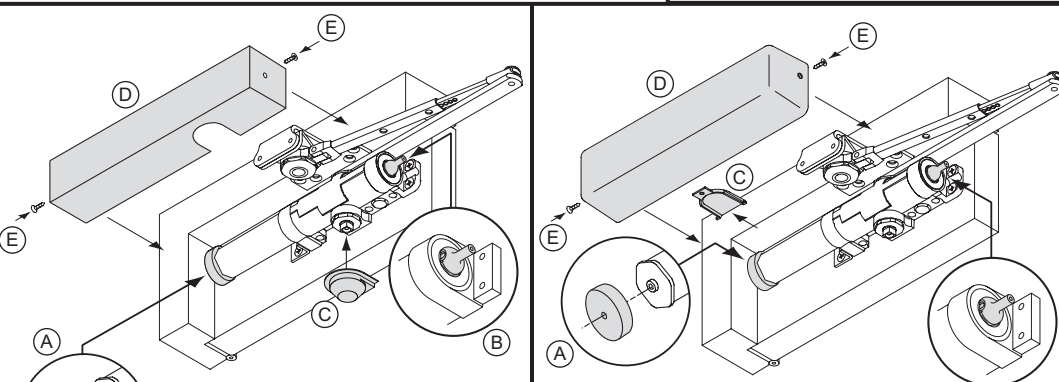
FACTORY SET TO SIZE 3	
CLOSER POWER SIZE	NUMBER OF TURNS (APPROX)
2	-3
3	0
4	+3
5	+8
6	+12



TO ADJUST HOLD OPEN ANGLE:
(A) LOOSEN HOLD OPEN NUT
(B) OPEN DOOR TO REQUIRED HOLD OPEN ANGLE
(C) SECURELY TIGHTEN HOLD OPEN NUT

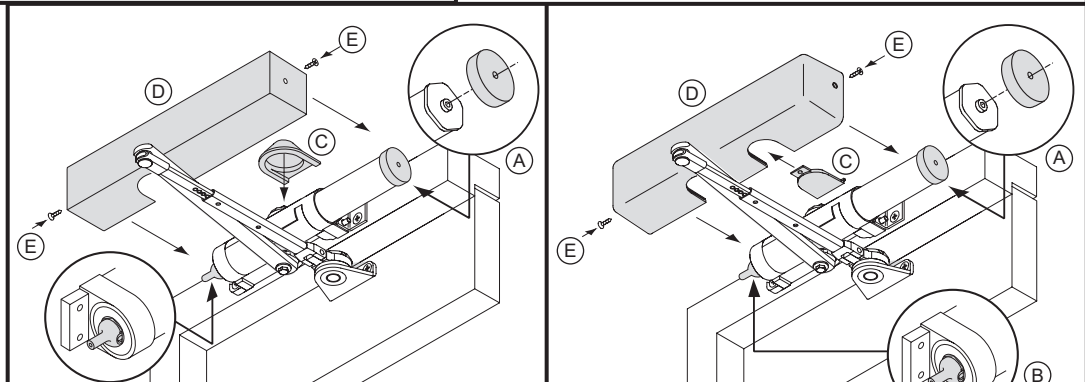
6 ADJUST HOLD OPEN ANGLE FOLLOWING STEPS SHOWN
IF NECESSARY ADJUST POWER AND DOOR SPEEDS **6**

TO ADJUST HOLD OPEN ANGLE:
(A) LOOSEN HOLD OPEN NUT
(B) OPEN DOOR TO REQUIRED HOLD OPEN ANGLE
(C) SECURELY TIGHTEN HOLD OPEN NUT



STANDARD COVER **OPTIONAL COVERS**

7 FIT COVER TO CLOSER
FOLLOWING STEPS SHOWN (2 SCREWS) **7**



STANDARD COVER **OPTIONAL COVERS**

7 FIT COVER TO CLOSER
FOLLOWING STEPS SHOWN (2 SCREWS) **7**