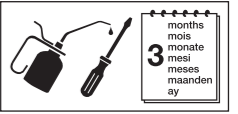
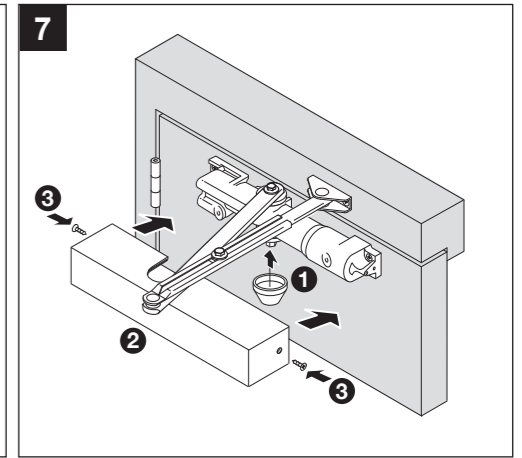
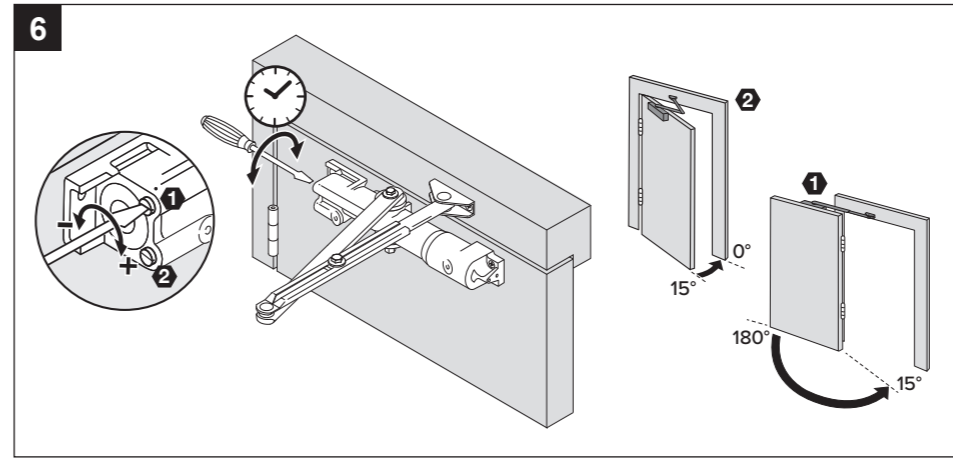
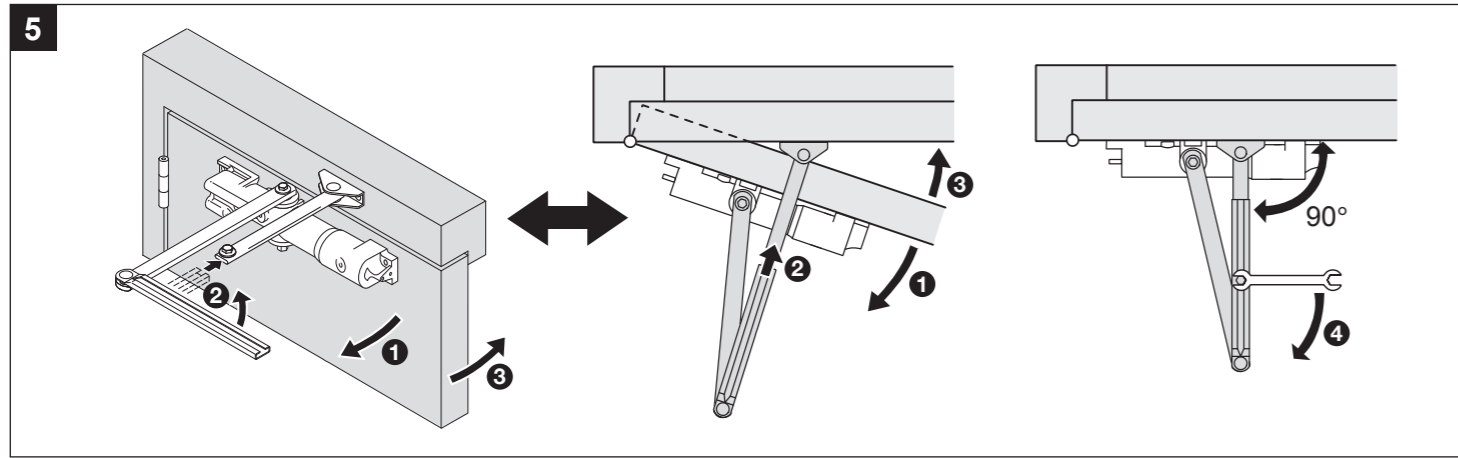
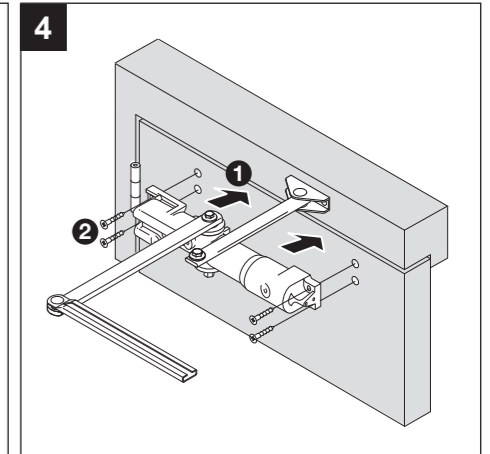
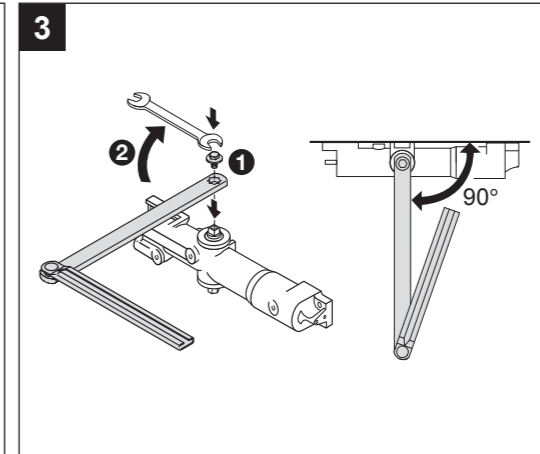
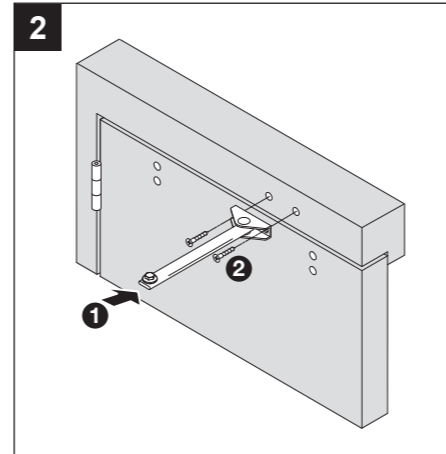
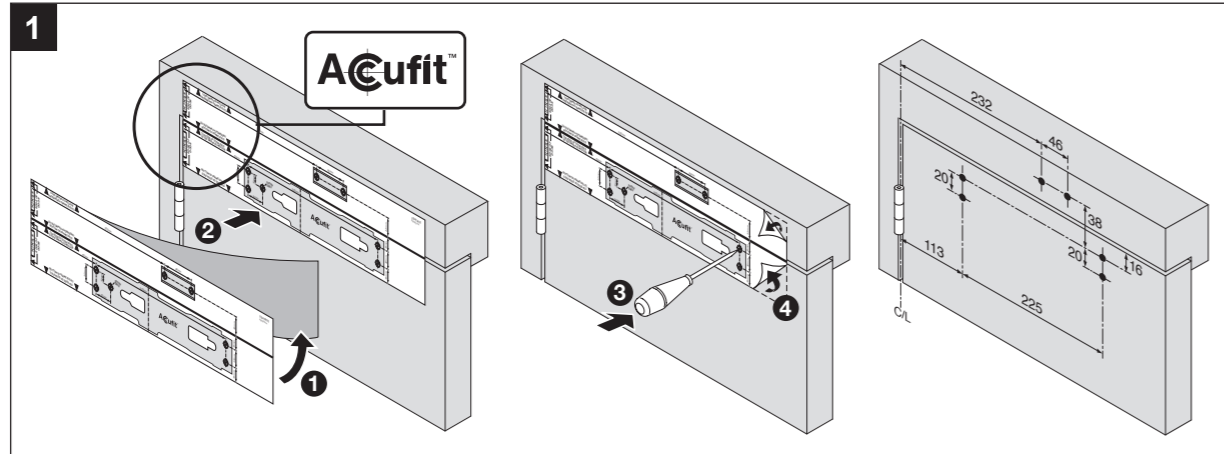
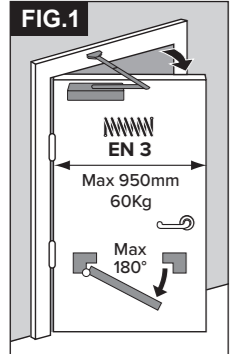


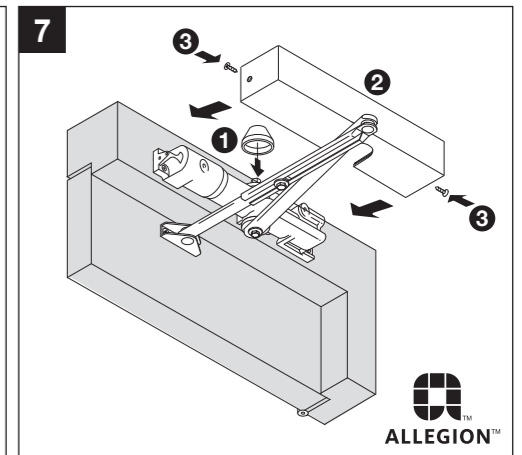
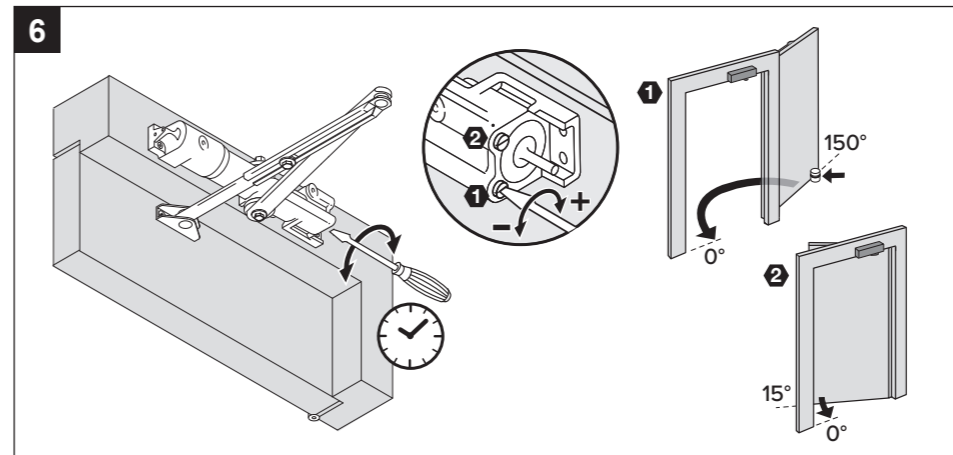
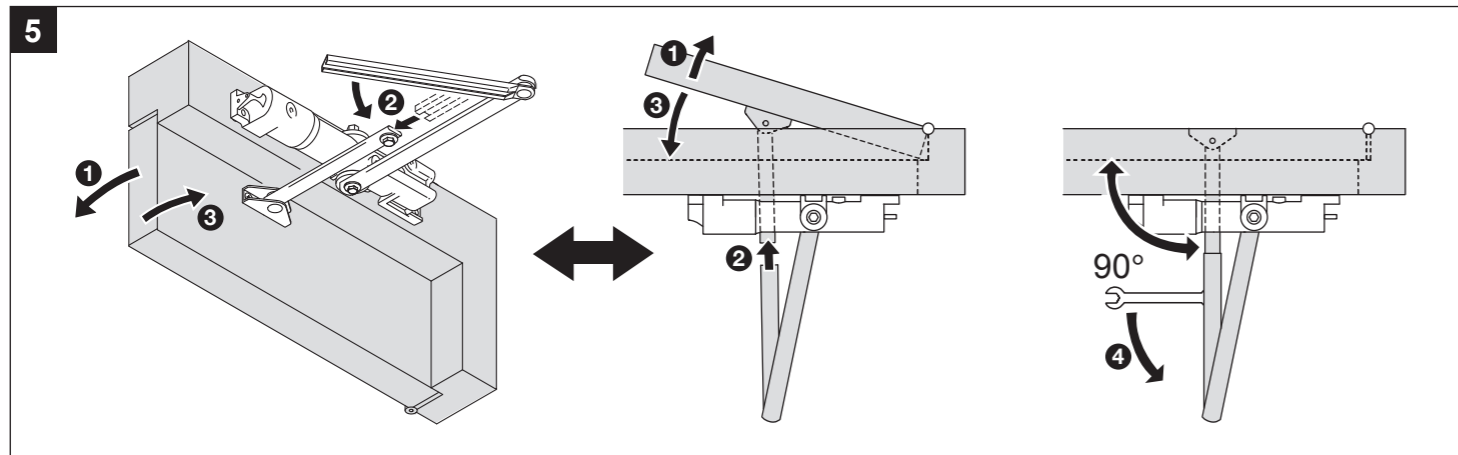
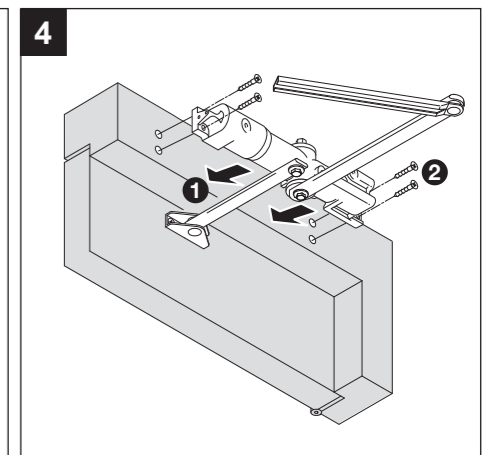
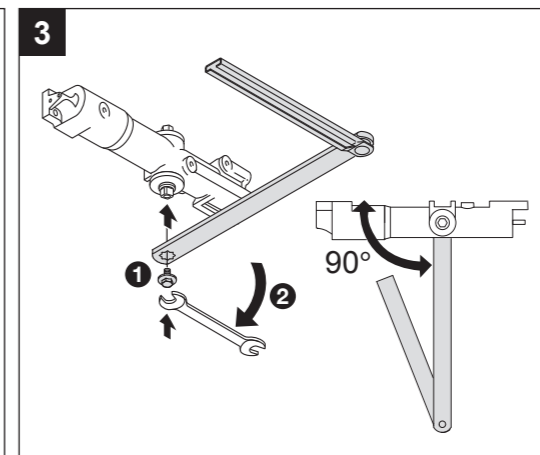
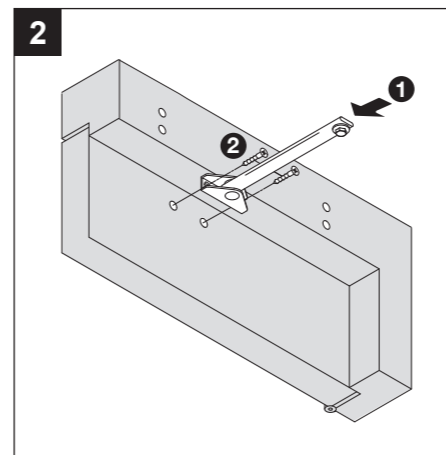
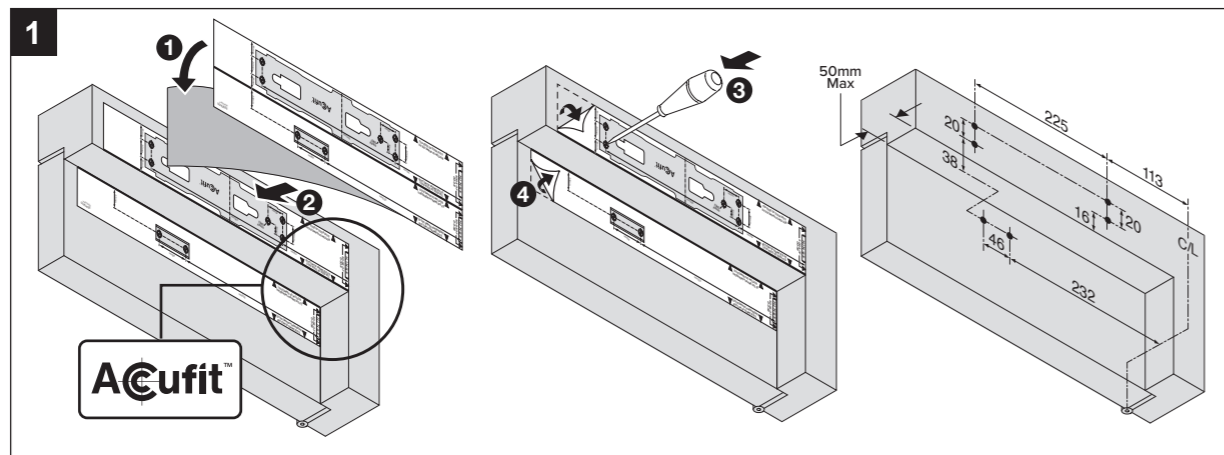
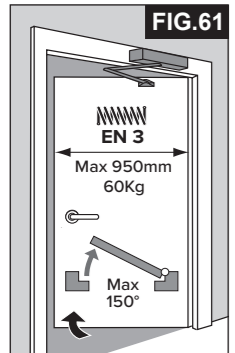
CE	Allegion (UK) Limited 35 Rocky Lane, Aston, Birmingham, B6 5RQ, UK
	2812-CPR-AD0013
EN154-1996-A1:2002	2005
Dangerous Substances: None	
UK CA	1121-CPR-UK-AD7576
	2021

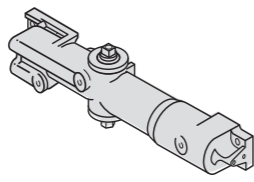


CE certifie CF111

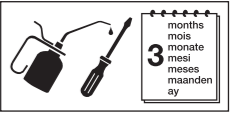


CE certifie CF111

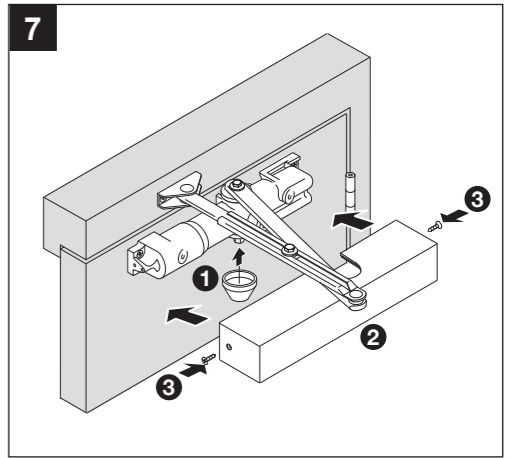
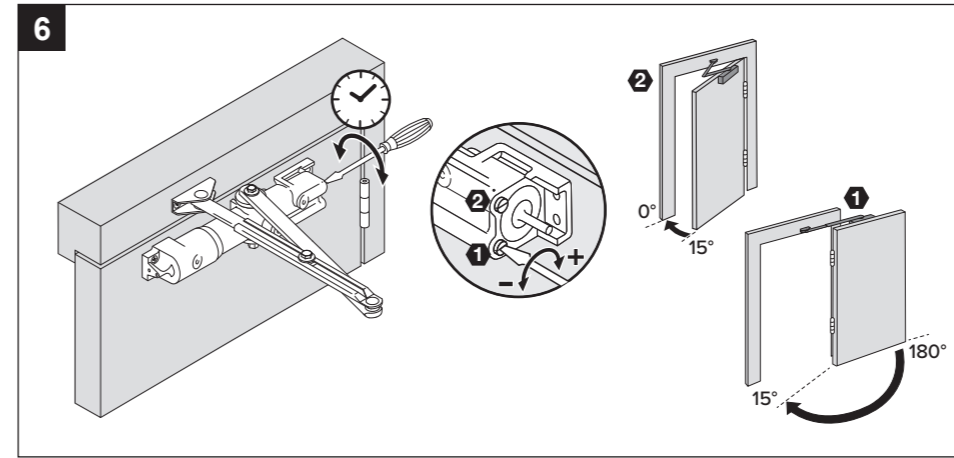
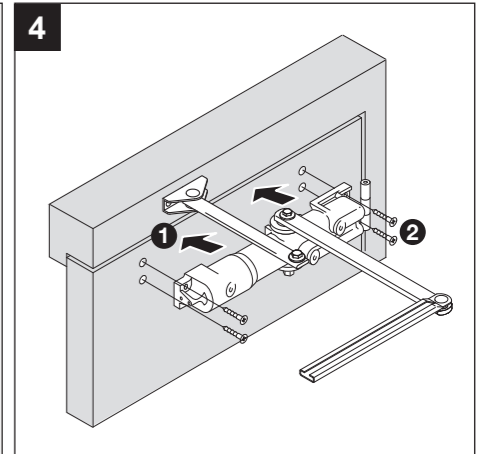
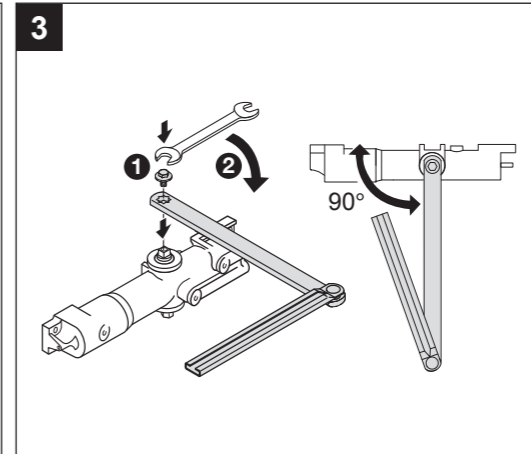
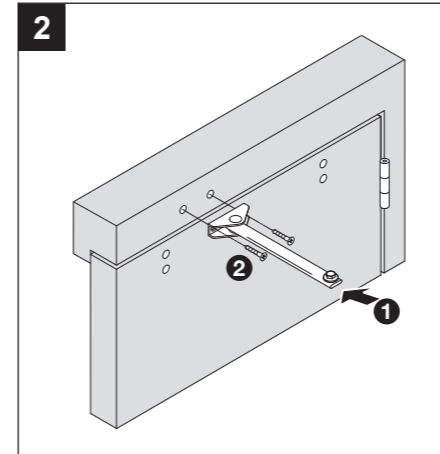
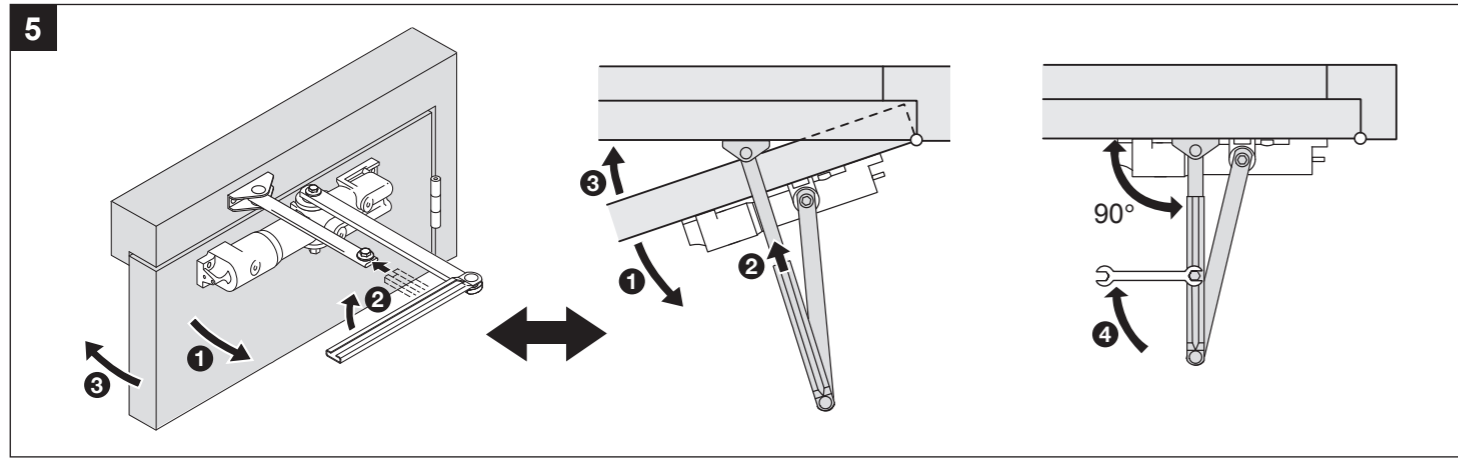
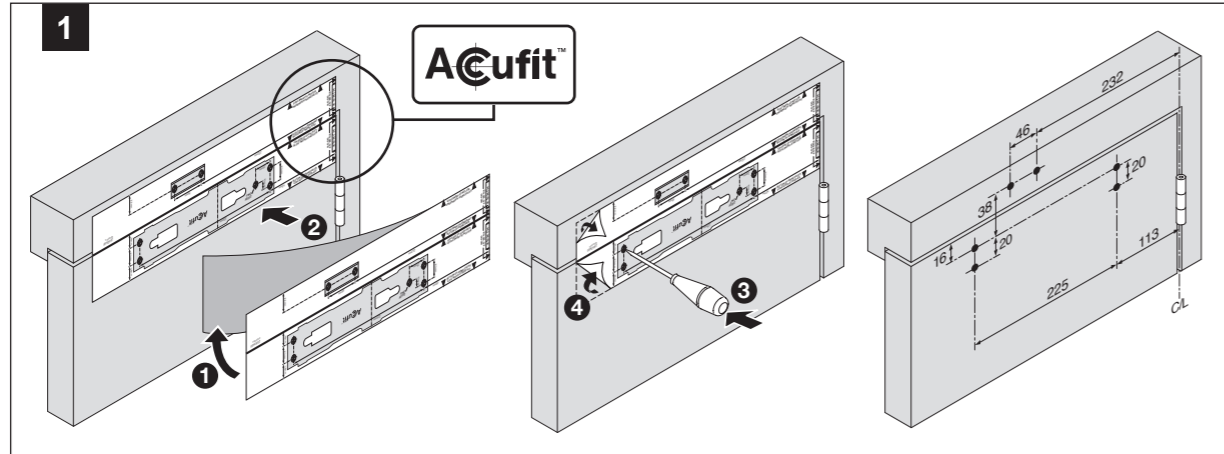
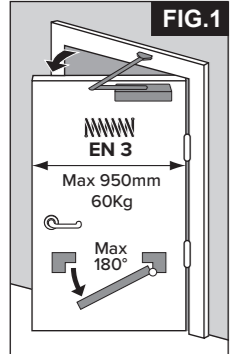




CE	Allegion (UK) Limited 35 Rocky Lane, Aston, Birmingham, B6 5RQ, UK
	2812-CPR-AD0013
EN154-1996-A1:2002	2005
Dangerous Substances: None	
UK CA	1121-CPR-UK- AD7576
	2021



CE certifiere CF111 UK CA



CE certifiere CF111 UK CA

