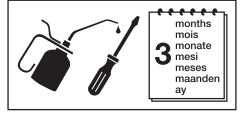
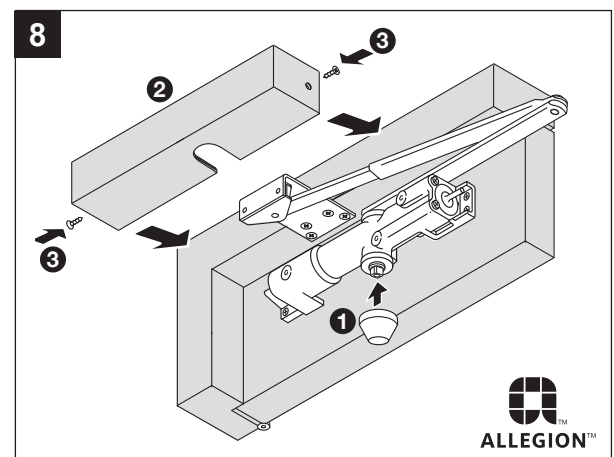
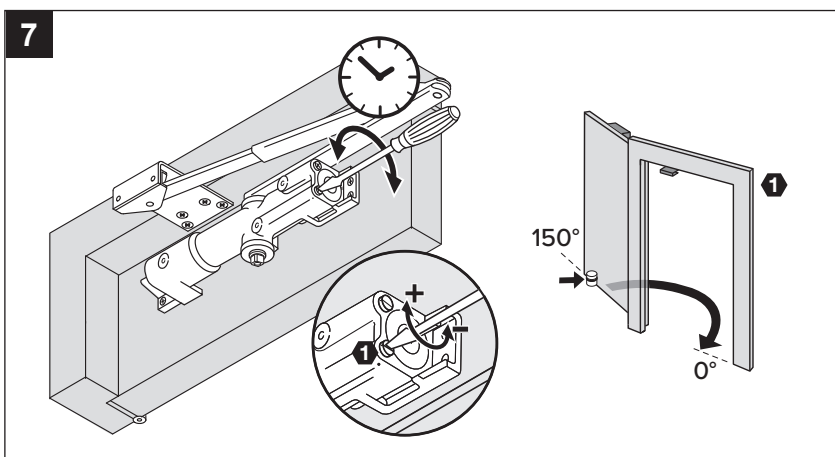
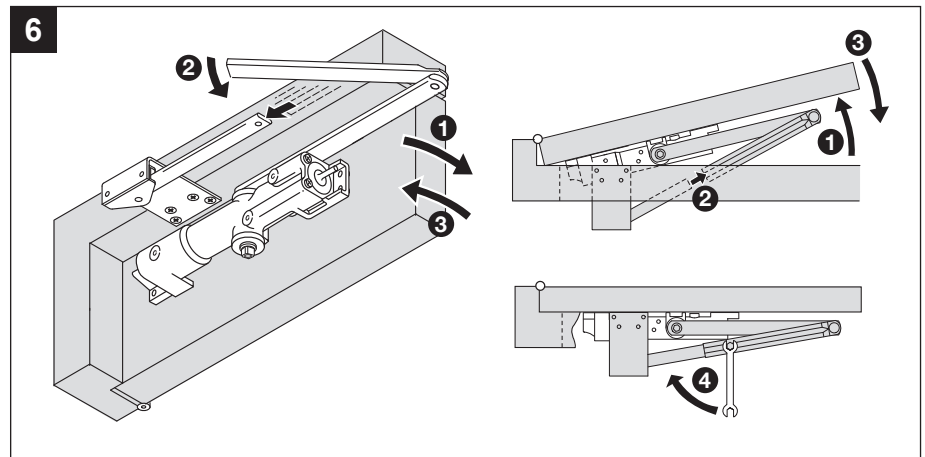
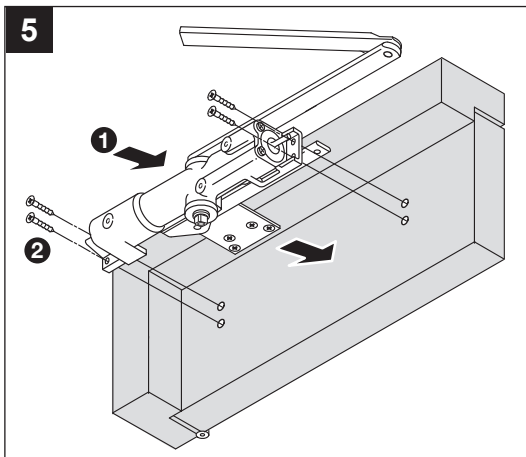
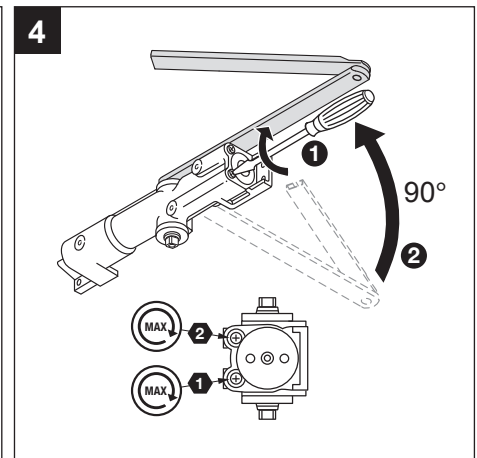
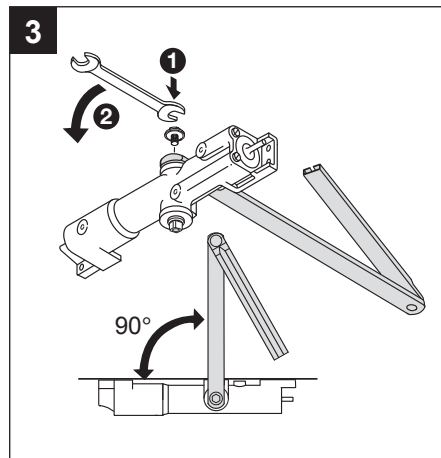
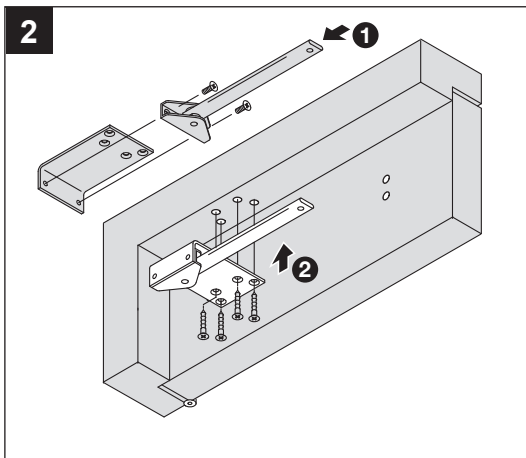
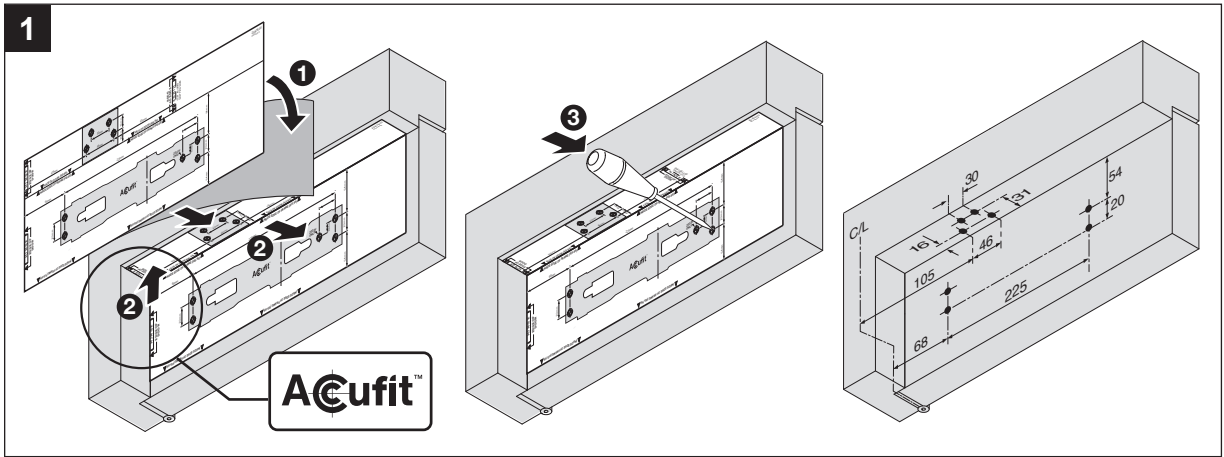
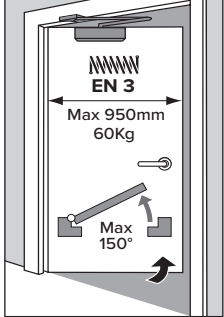


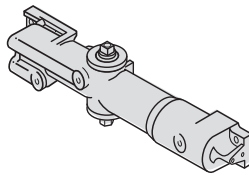
<b>CE</b>	Allegion (UK) Limited 35 Rocky Lane, Aston, Birmingham, B6 5RQ, UK
2812-CPR-AD0013	2005
EN1154:1996+A1:2002	3 8 3 1 1 3
Dangerous Substances: None	
<b>UK CA</b>	1121-CPR-UK- AD7576
	2021



**CE** **UK  
CA**  
certifire<sub>CF111</sub>

FIG.66





		Allegion (UK) Limited 35 Rocky Lane, Aston, Birmingham, B6 5RQ, UK	
2812-CPR-AD0013	2005	3 8 3 1 1 3	
EN1154:1996+A1:2002		Dangerous Substances: None	
		1121-CPR-UK-AD7576	
		2021	

