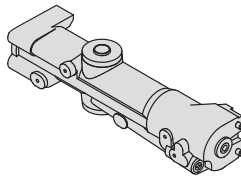


# Briton

Briton 2003V  
EN 1-3



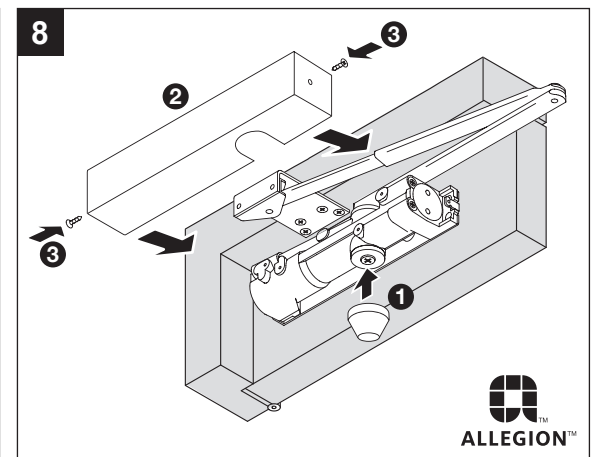
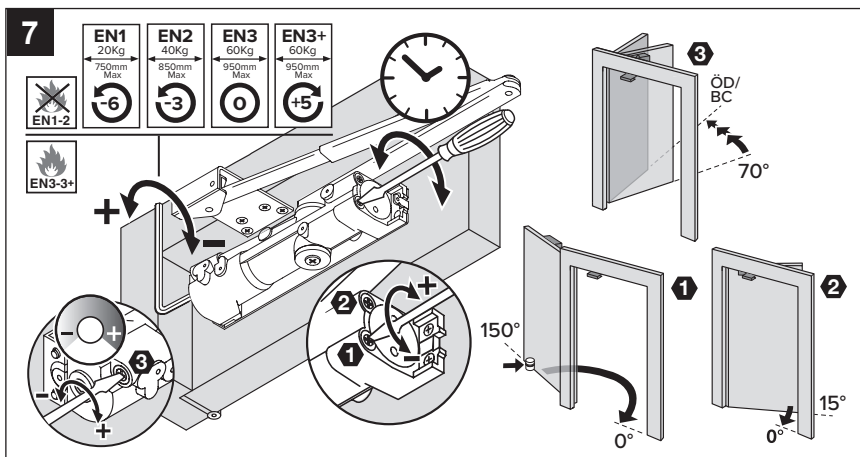
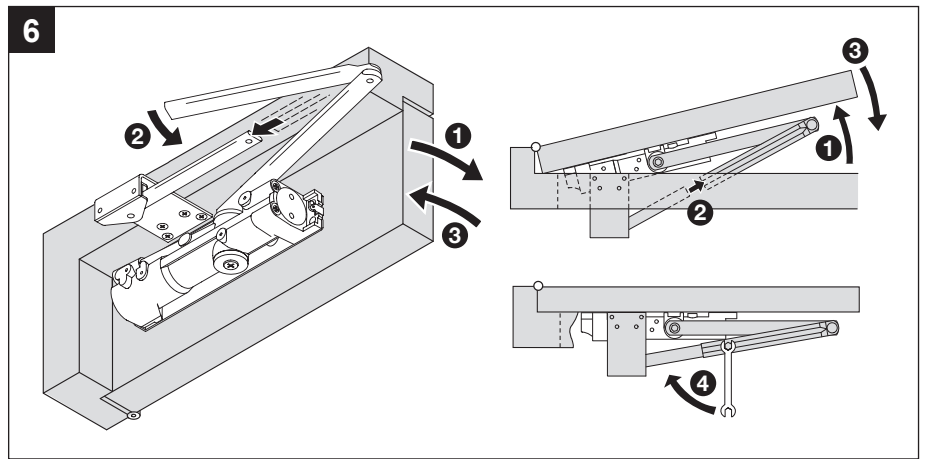
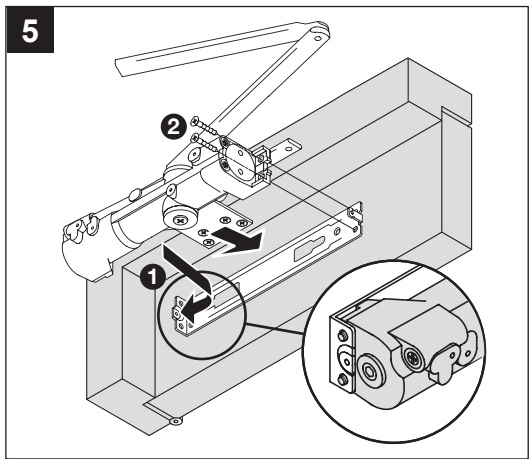
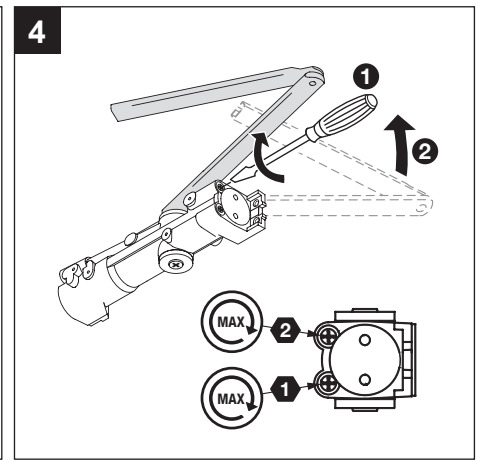
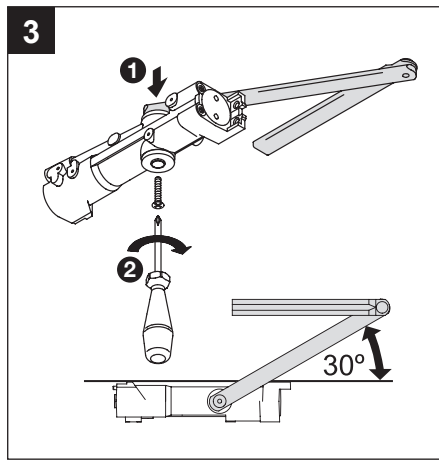
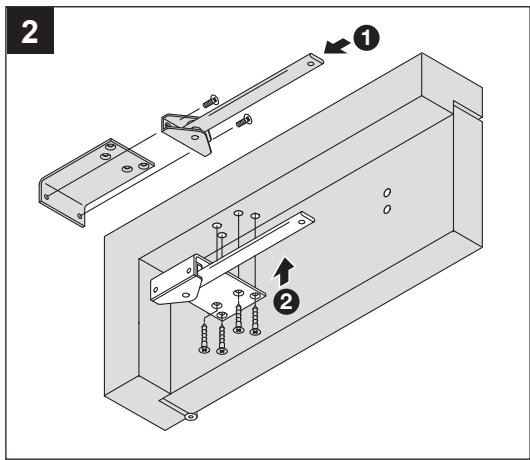
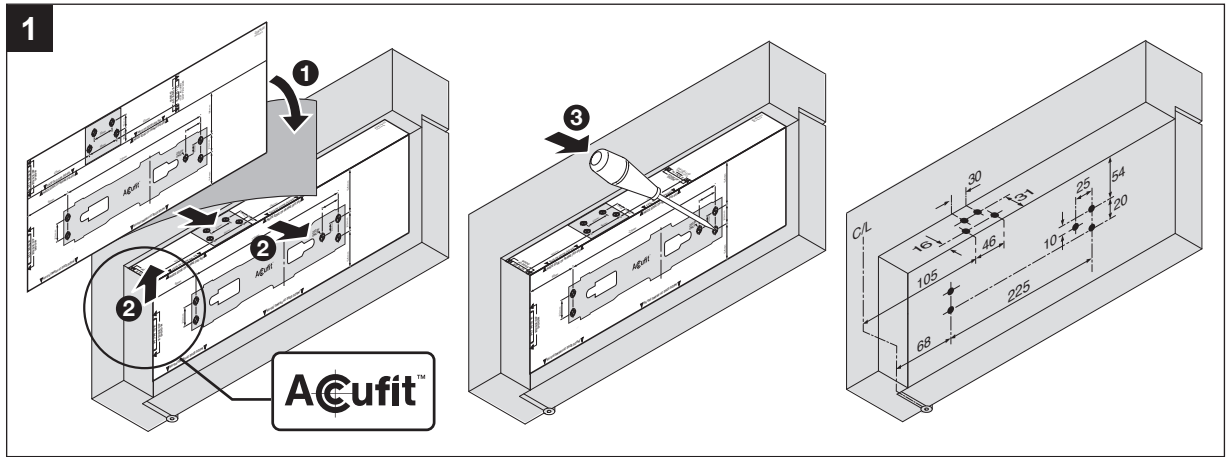
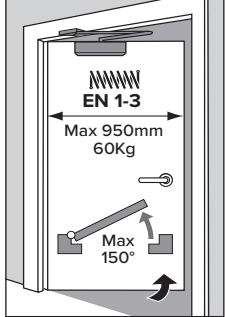
<b>CE</b>	Allegion (UK) Limited 35 Rocky Lane, Aston, Birmingham, B6 5RQ, UK
2812-CPR-AD0168	2005
EN1154:1996+A1:2002	3 8 1/3 11 3
Dangerous Substances: None	
<b>UK CA</b>	1121-CPR-UK-AD7600
	2021

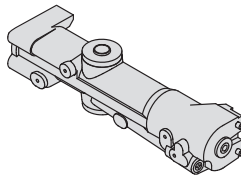
23/473/00  
REVISION B



**CE** **UK CA**  
certifire<sub>CF111</sub>

FIG.66





CE	Allegion (UK) Limited 35 Rocky Lane, Aston, Birmingham, B6 5RQ, UK	
	2812-CPR-AD0168	2005
EN1154:1996+A1:2002		3 8 1/3 113
Dangerous Substances: None		
UK CA	1121-CPR-UK- AD7600	
	2021	

