



# SIZE 2, 3 OR 4 FIXED POWER CLOSER WITH HOLD OPEN ARM



**WARNING**  
DOOR CLOSER POWER #1 & 2 AND THOSE SUPPLIED WITH MECHANICAL HOLD OPEN DEVICES MUST NOT BE INSTALLED ON FIRE / SMOKE DOORS.

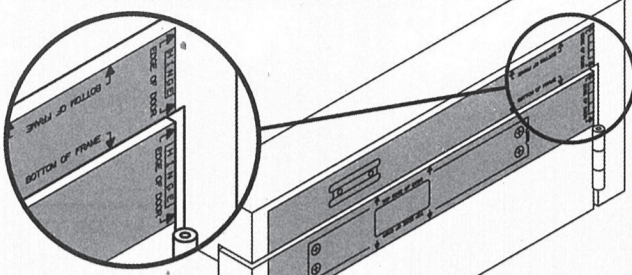
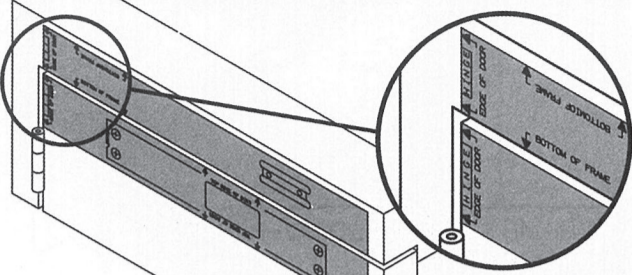
23/635/00  
ISSUE 01

## PULL SIDE - REGULAR APPLICATION (FIG. 1)

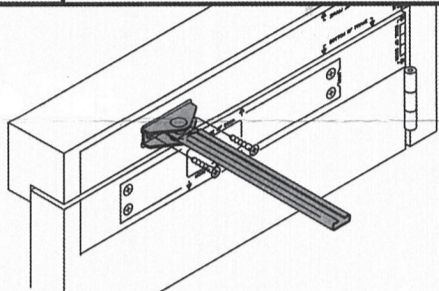
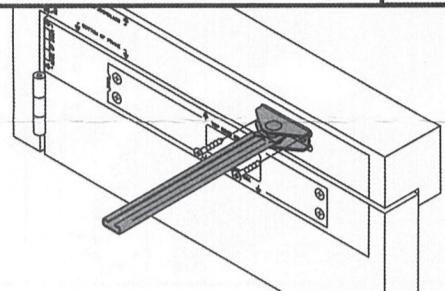
ANGLE OF OPENING 180° SUBJECT TO HINGE & SURROUNDING STRUCTURE

**R.H. DOOR**

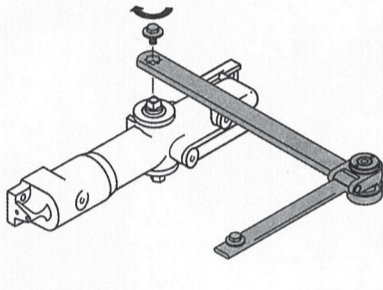
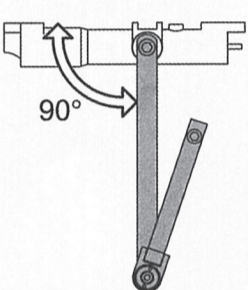
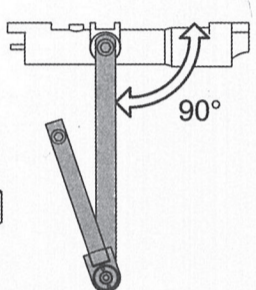
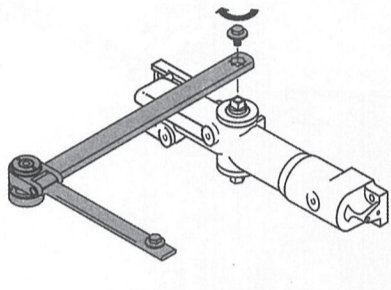
**L.H. DOOR**



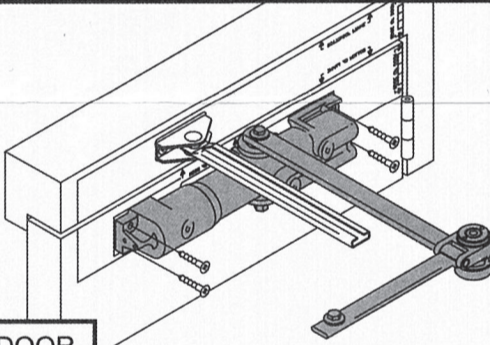
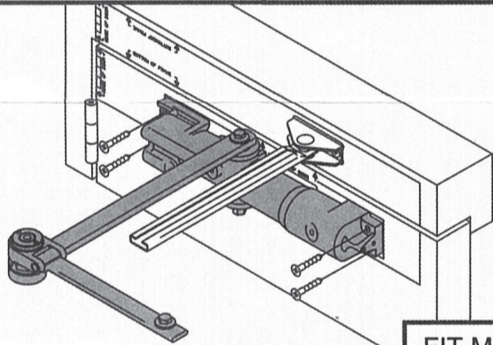
**1** PEEL TEMPLATES OFF BACKING PAPER  
POSITION ON DOOR/FRAME  
PILOT DRILL 6 HOLES **1**



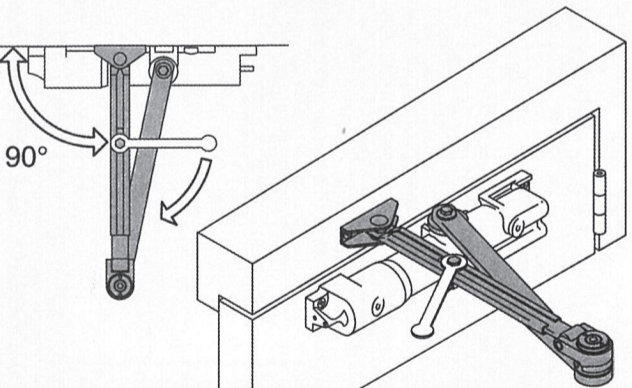
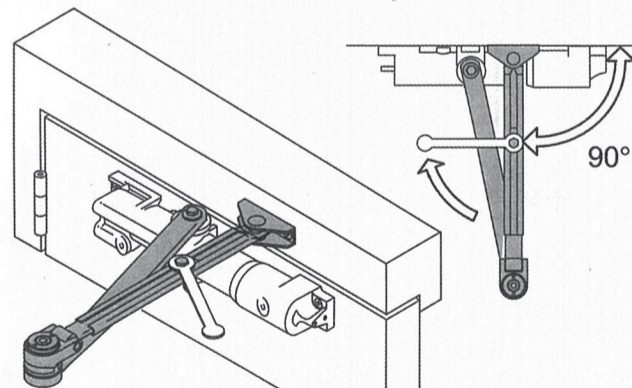
**2** FIT BRACKET ASSEMBLY (2 SCREWS) **2**



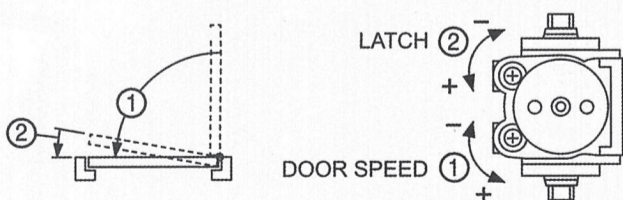
**3** FIT MAIN ARM ASSEMBLY TO MECHANISM (90°)  
SECURELY TIGHTEN FIXING SCREW **3**



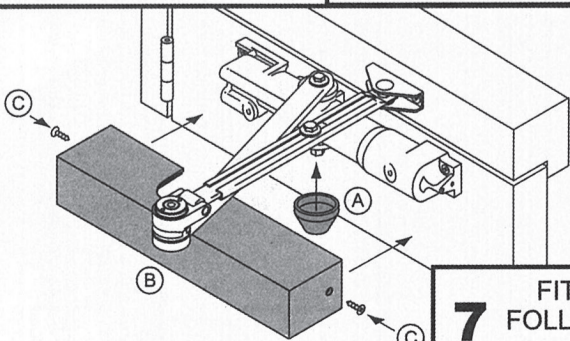
**4** FIT MECHANISM ASSEMBLY TO DOOR  
AND SECURE (4 SCREWS)  
PEEL OFF TEMPLATES **4**



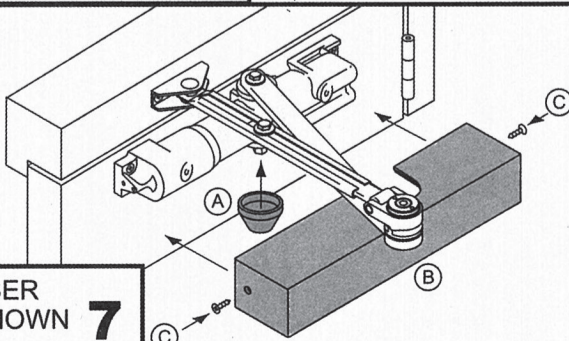
**5** OPEN DOOR TO ENGAGE SECONDARY ARM STRIP AND TUBE  
CLOSE DOOR AND SET SECONDARY ARM AT 90° TO DOOR FACE  
SECURELY TIGHTEN CLAMP BOLT WITH SPANNER **5**



**6** SET HOLD OPEN ARM AS SHOWN ABOVE  
IF NECESSARY ADJUST DOOR SPEEDS **6**



**7** FIT COVER TO CLOSER  
FOLLOWING STEPS SHOWN  
(2 SCREWS) **7**



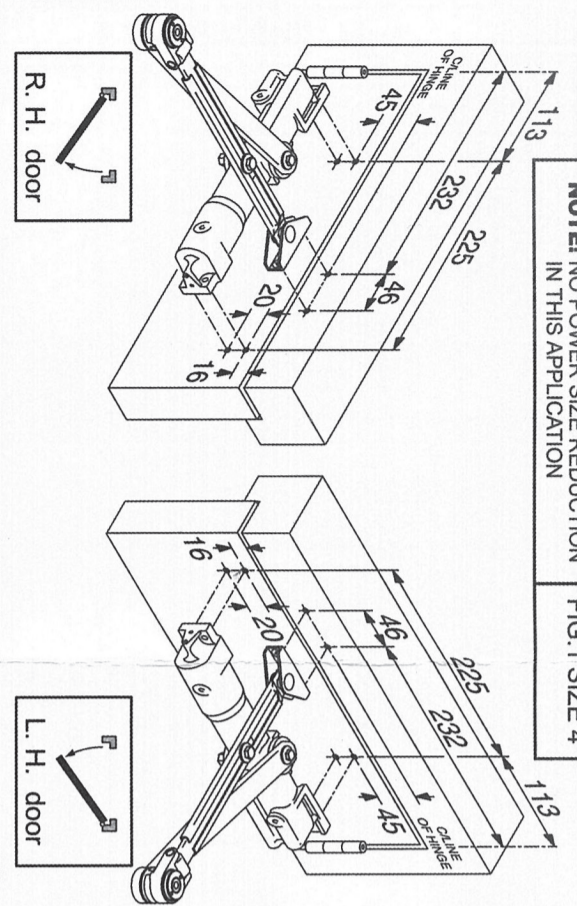
CLOSER  
POWER  
DOOR  
SIZE

**#1**  
20kg  
750  
MAX

**#2**  
40kg  
850  
MAX

**#3**  
60kg  
950  
MAX

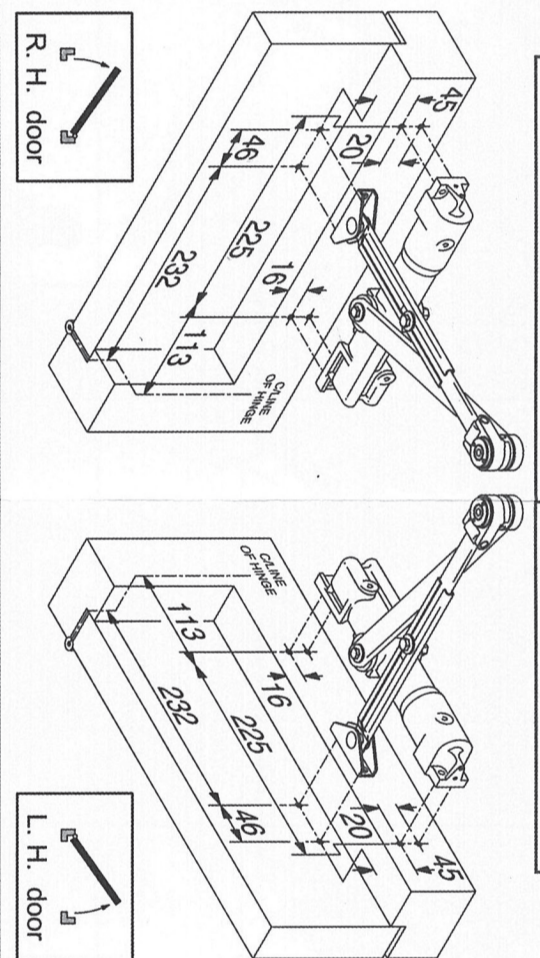
**#4**  
80kg  
1100  
MAX



**REGULAR FIXING (FIG.1)**  
NOTE! NO POWER SIZE REDUCTION  
IN THIS APPLICATION

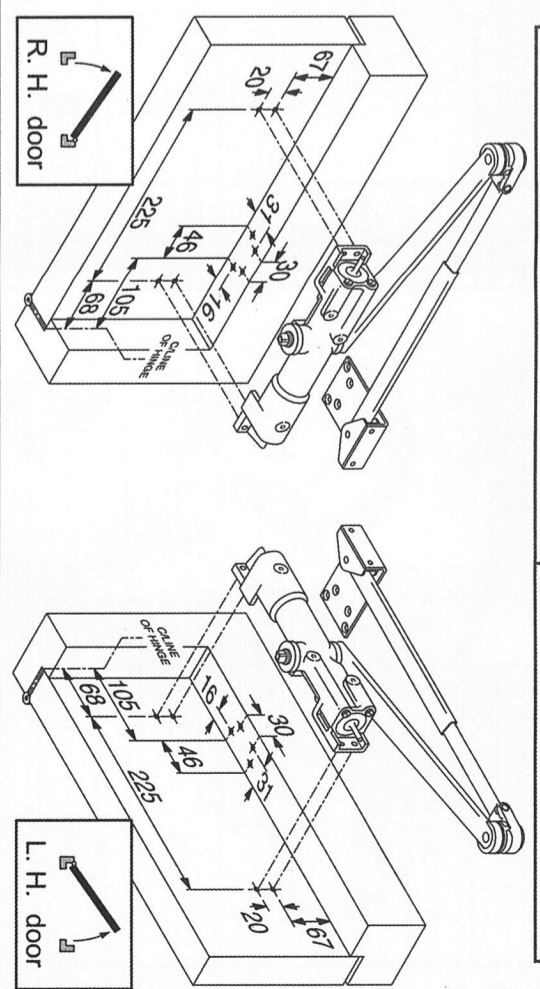
FIG.1 SIZE 3  
FIG.1 SIZE 4

**FOR TRANNSOM AND PARALLEL ARM INSTALLATION PROCEDURE SEE OVERLEAF**  
MAINTENANCE (Quarterly)  
Check that the door closer closes the door correctly and fixing screws are tight.  
Periodically apply light oil to arm knuckle joints and door hinges.



**TRANNSOM FIXING (FIG.61)**  
NOTE! NO POWER SIZE REDUCTION  
IN THIS APPLICATION

FIG.1 SIZE 3 = FIG.61 SIZE 3  
FIG.1 SIZE 4 = FIG.61 SIZE 4



**PARALLEL ARM FIXING (FIG.66)**  
NOTE! POWER SIZE REDUCTION  
IN THIS APPLICATION

FIG.1 SIZE 3 = FIG.66 SIZE 1  
FIG.1 SIZE 4 = FIG.66 SIZE 2

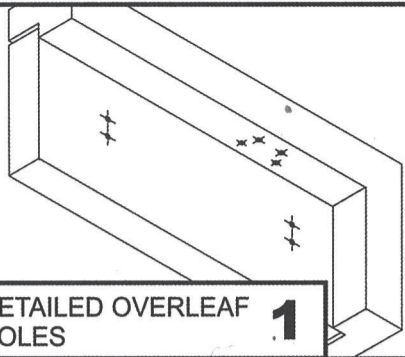
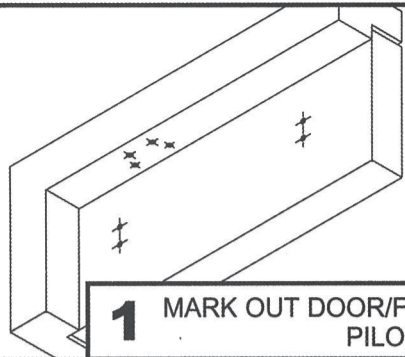
NOTE - all dimensions  
are in millimetres

## PUSH SIDE - PARALLEL ARM APPLICATION (FIG.66)

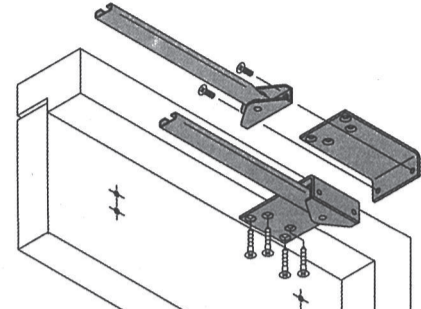
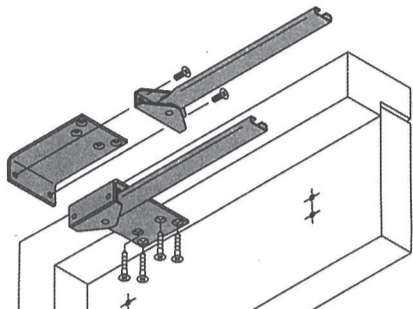
ANGLE OF OPENING 180° SUBJECT TO HINGE & SURROUNDING STRUCTURE

L.H. DOOR

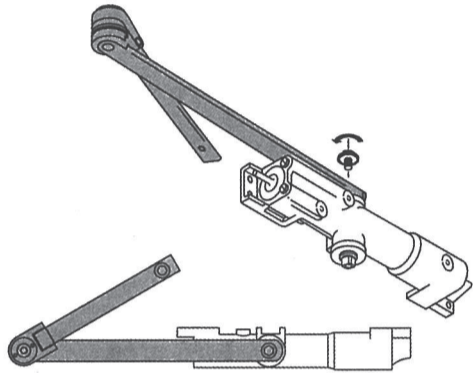
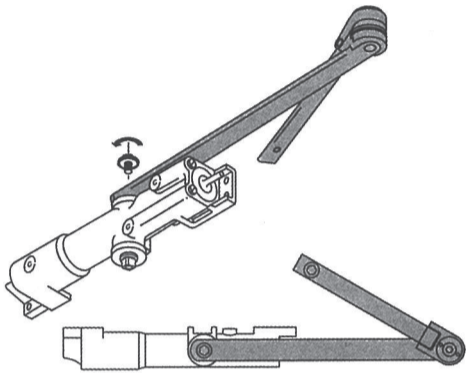
R.H. DOOR



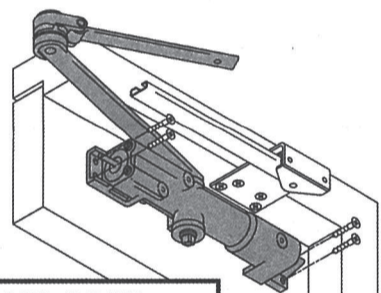
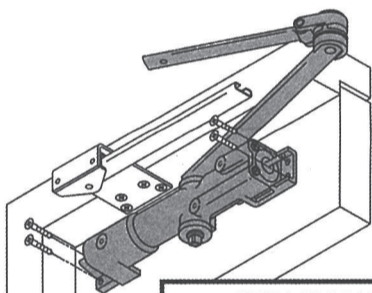
**1** MARK OUT DOOR/FRAME AS DETAILED OVERLEAF  
PILOT DRILL 8 HOLES **1**



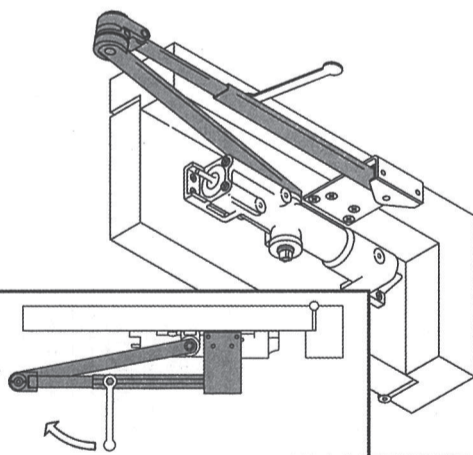
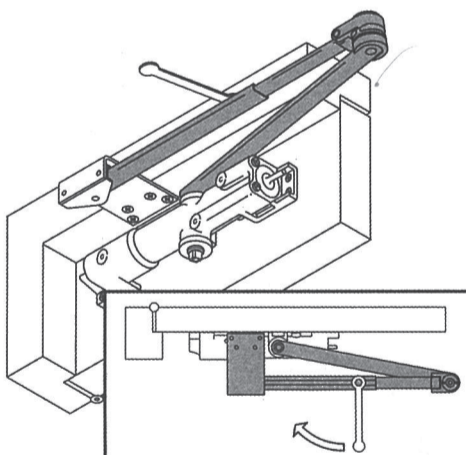
**2** FIT ARM BRACKET ASSEMBLY TO FIG.66 BRACKET (2 SCREWS)  
FIT BRACKET ASSEMBLY TO FRAME (4 SCREWS) **2**



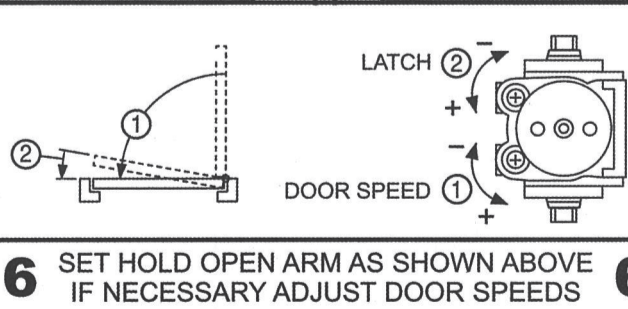
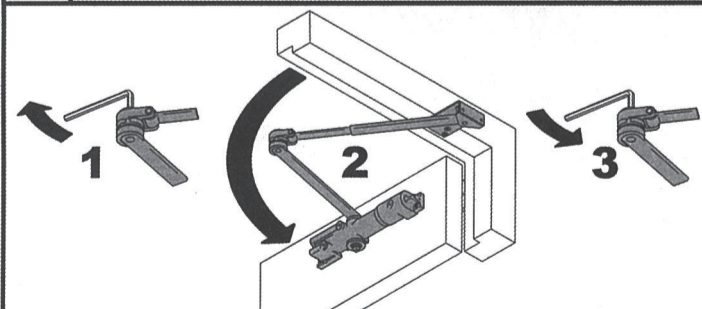
**3** FIT MAIN ARM ASSEMBLY TO MECHANISM,  
SECURELY TIGHTEN FIXING SCREW **3**



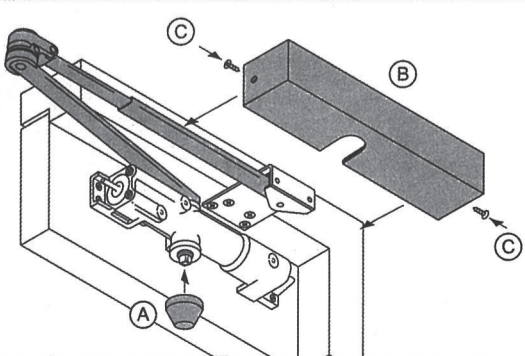
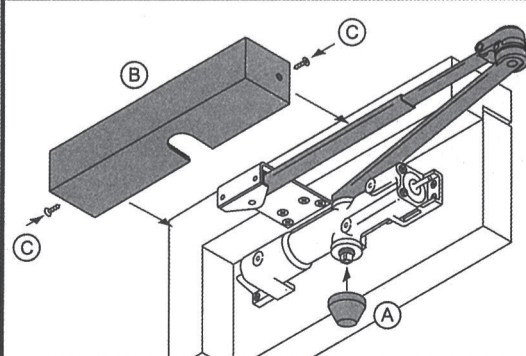
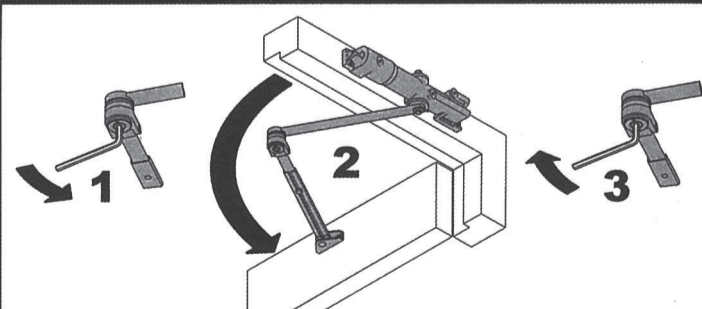
**4** FIT MECHANISM ASSEMBLY TO DOOR  
AND SECURE (4 SCREWS) **4**



**5** OPEN DOOR TO ENGAGE SECONDARY ARM STRIP AND TUBE  
CLOSE DOOR AND SET ARMS AS SHOWN ABOVE  
SECURELY TIGHTEN CLAMP BOLT WITH SPANNER **5**



**6** SET HOLD OPEN ARM AS SHOWN ABOVE  
IF NECESSARY ADJUST DOOR SPEEDS **6**



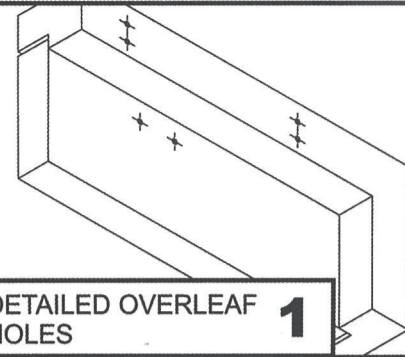
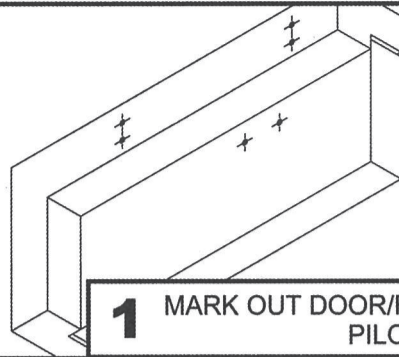
**7** FIT COVER TO CLOSER FOLLOWING STEPS SHOWN (2 SCREWS) **7**

## PUSH SIDE TRANSOM APPLICATION (FIG.61)

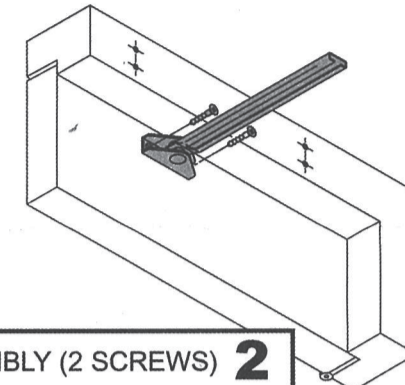
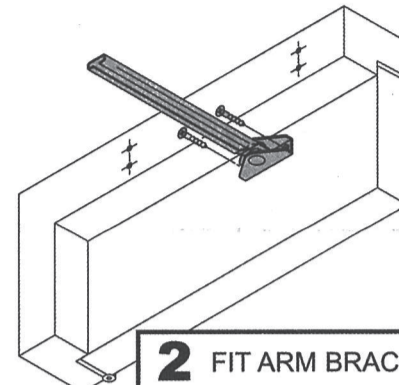
ANGLE OF OPENING 180° SUBJECT TO HINGE & SURROUNDING STRUCTURE

L.H. DOOR

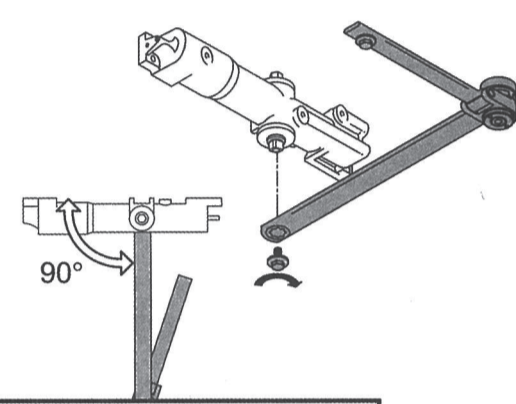
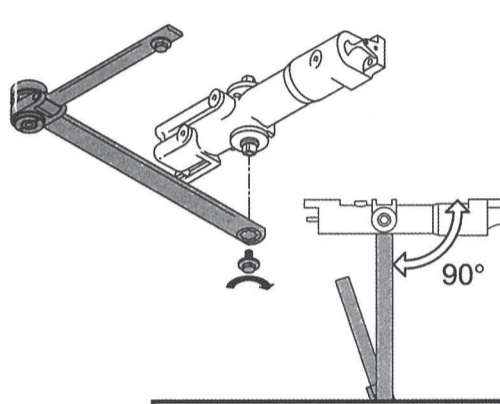
R.H. DOOR



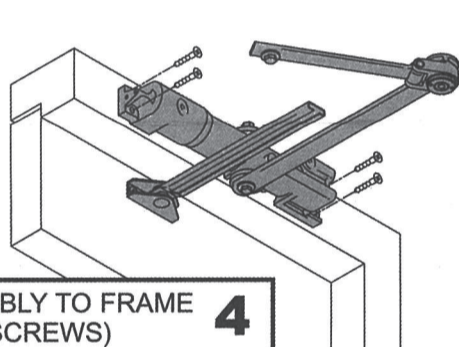
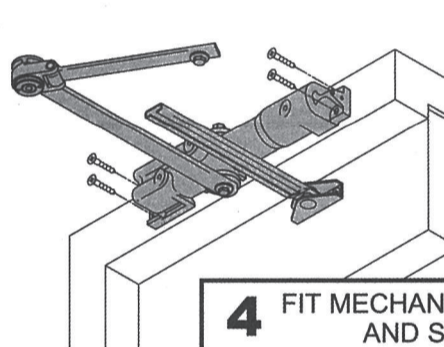
**1** MARK OUT DOOR/FRAME AS DETAILED OVERLEAF  
PILOT DRILL 6 HOLES **1**



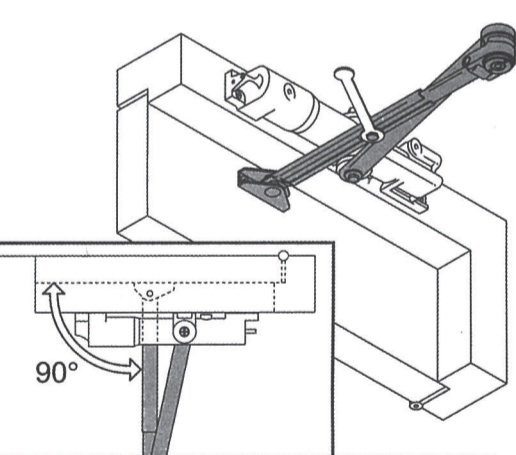
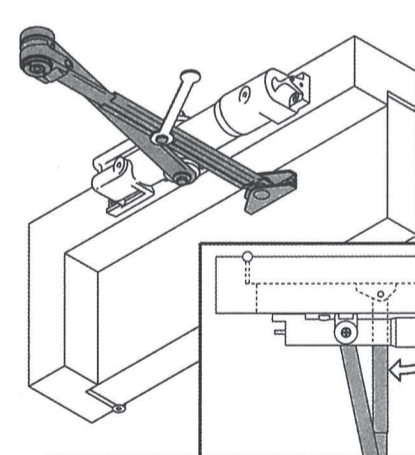
**2** FIT ARM BRACKET ASSEMBLY (2 SCREWS) **2**



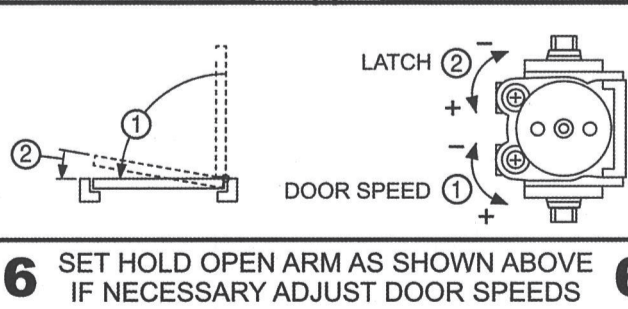
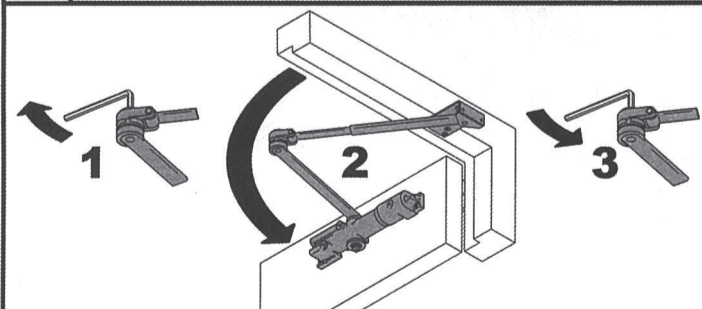
**3** FIT MAIN ARM ASSEMBLY TO MECHANISM (90°)  
SECURELY TIGHTEN FIXING SCREW **3**



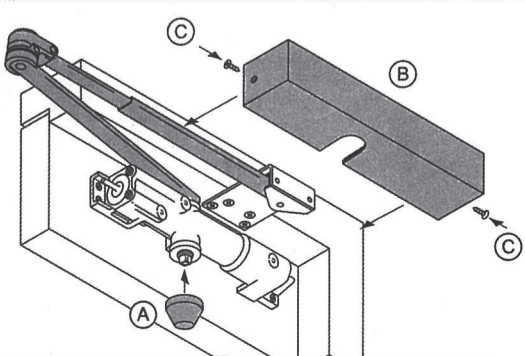
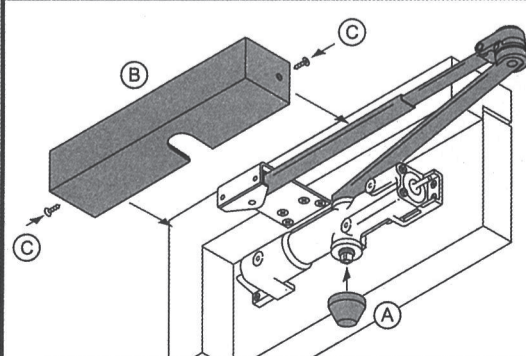
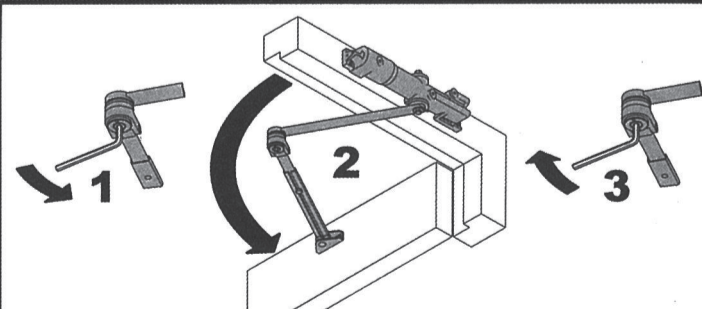
**4** FIT MECHANISM ASSEMBLY TO FRAME  
AND SECURE (4 SCREWS) **4**



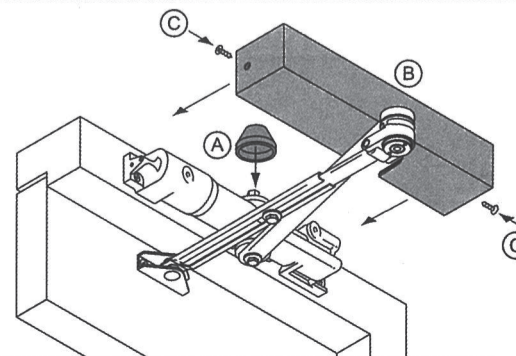
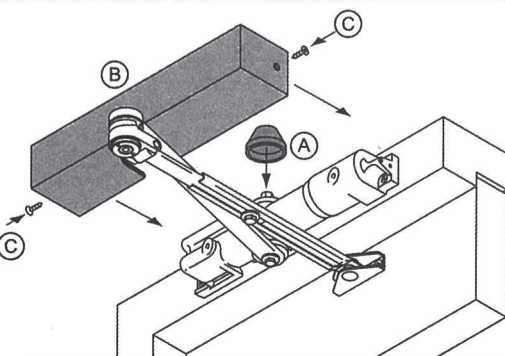
**5** OPEN DOOR TO ENGAGE SECONDARY ARM STRIP AND TUBE  
CLOSE DOOR AND SET SECONDARY ARM AT 90° TO DOOR FACE  
SECURELY TIGHTEN CLAMP BOLT WITH SPANNER **5**



**6** SET HOLD OPEN ARM AS SHOWN ABOVE  
IF NECESSARY ADJUST DOOR SPEEDS **6**



**7** FIT COVER TO CLOSER FOLLOWING STEPS SHOWN (2 SCREWS) **7**



**7** FIT COVER TO CLOSER FOLLOWING STEPS SHOWN (2 SCREWS) **7**