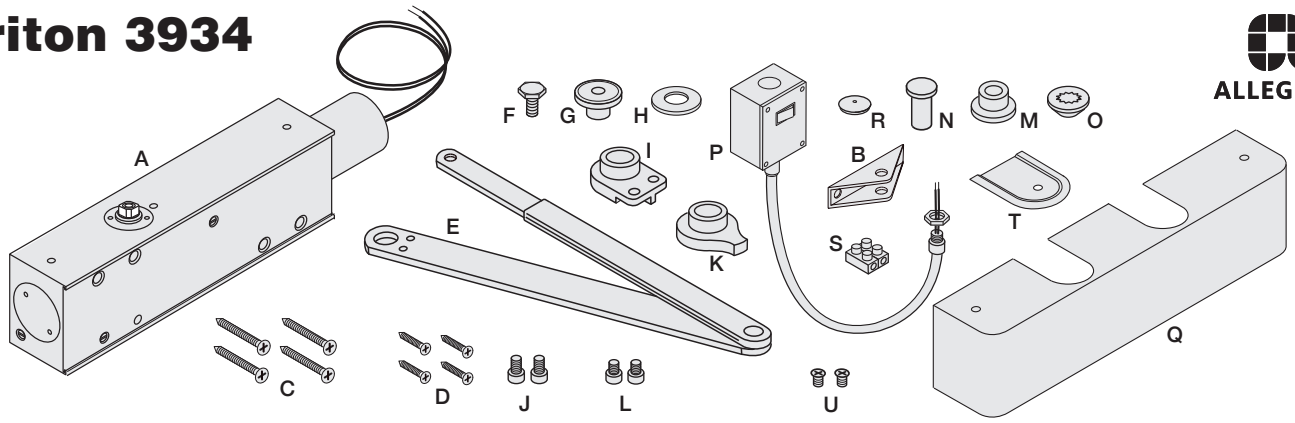
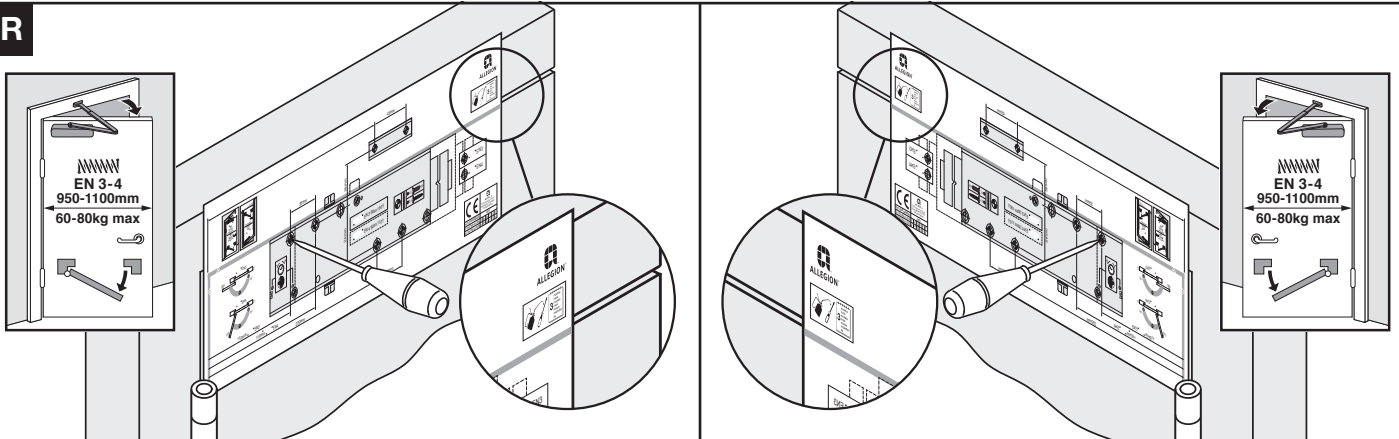


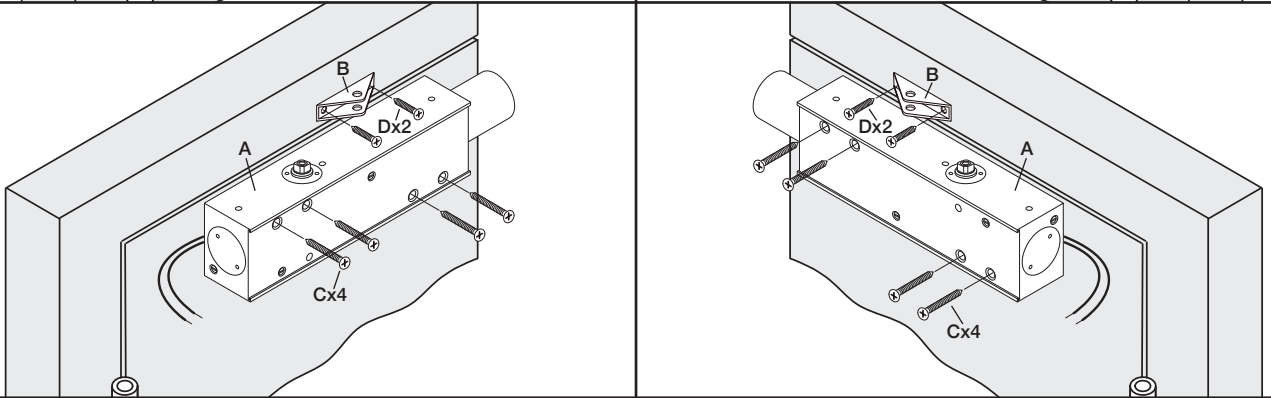
Briton 3934



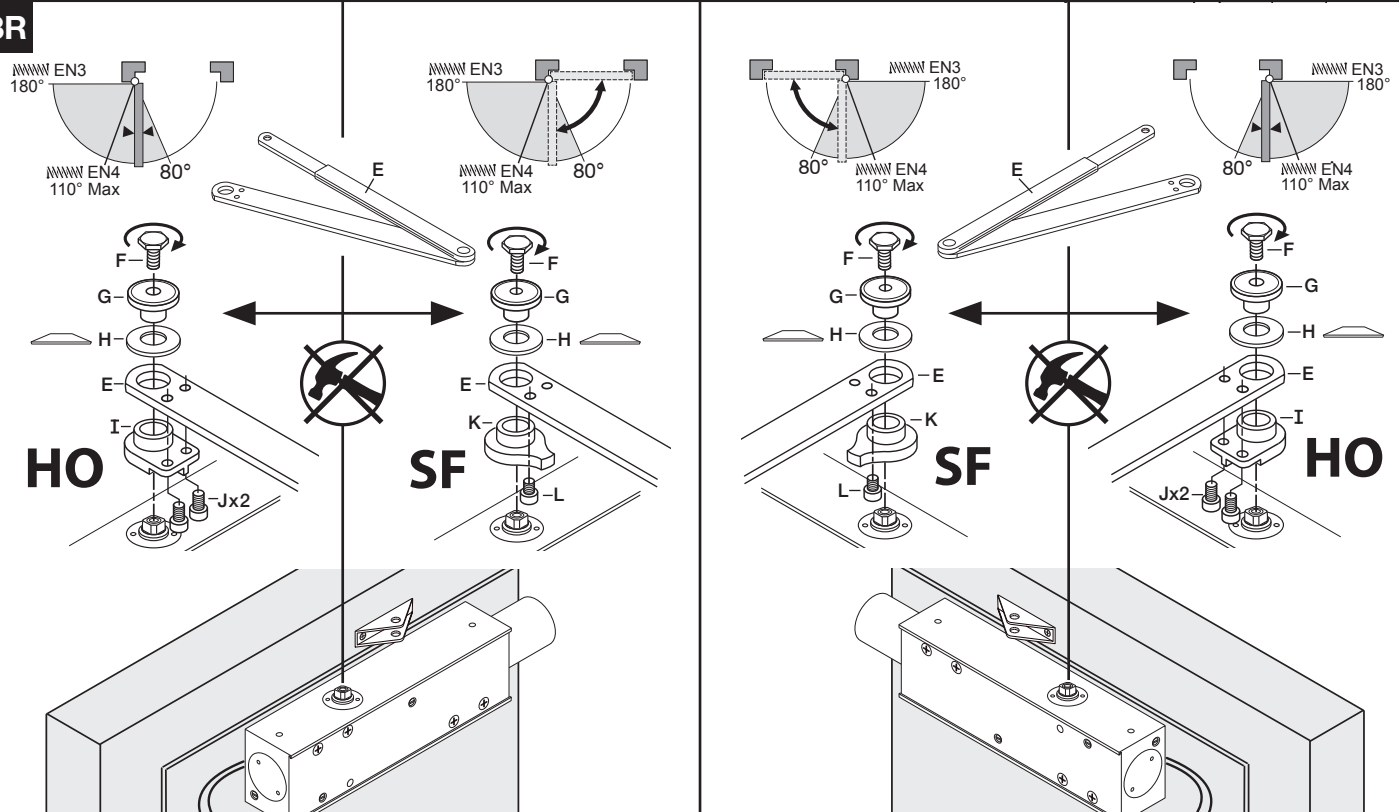
1R



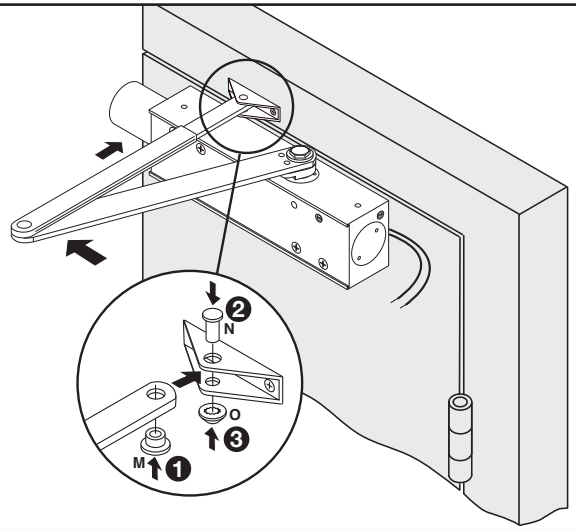
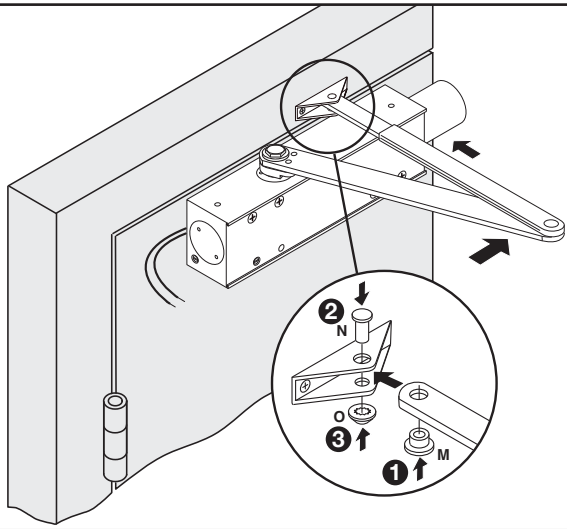
2R



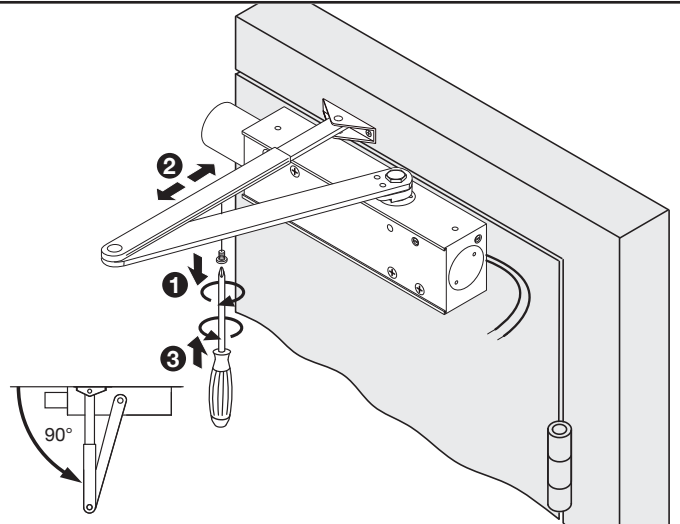
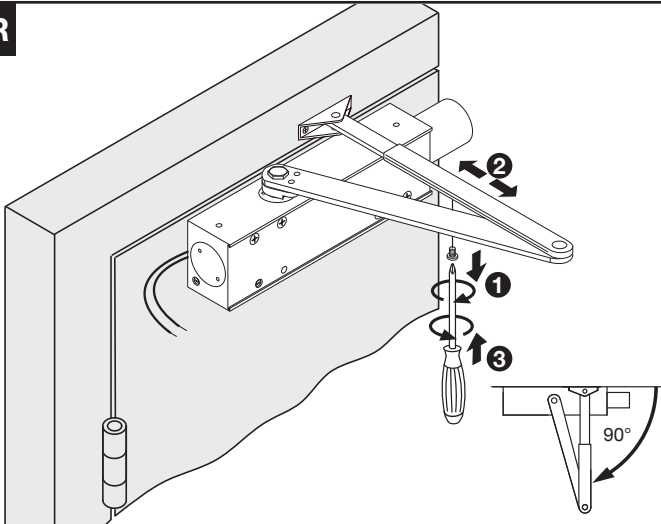
3R



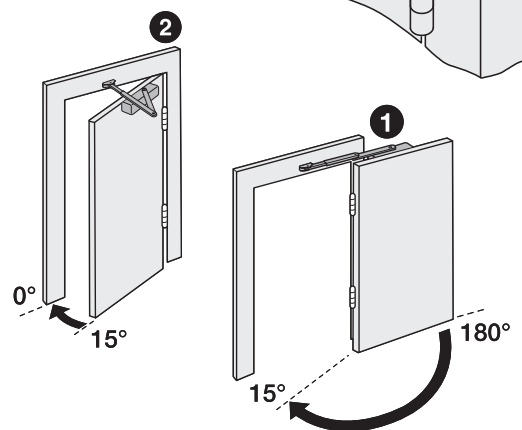
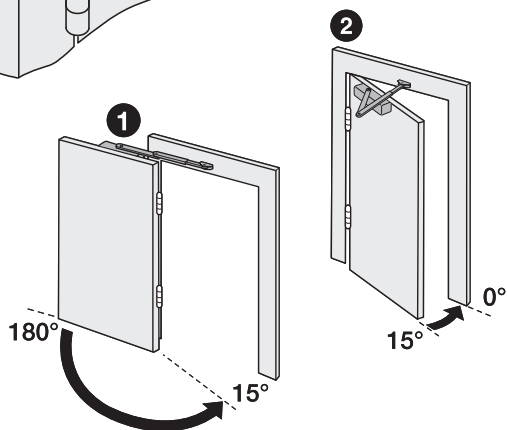
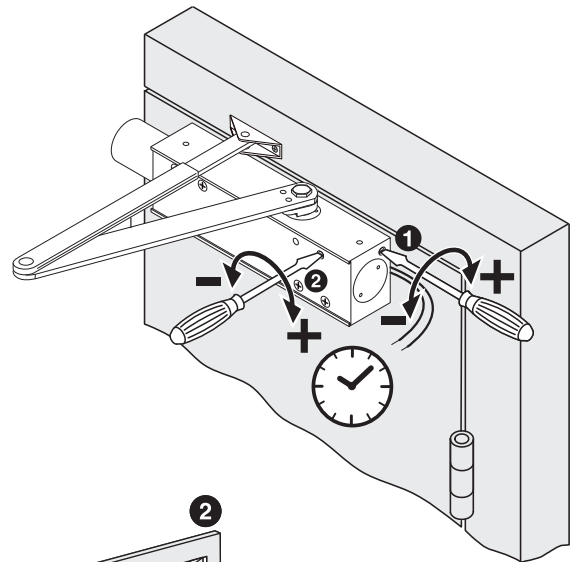
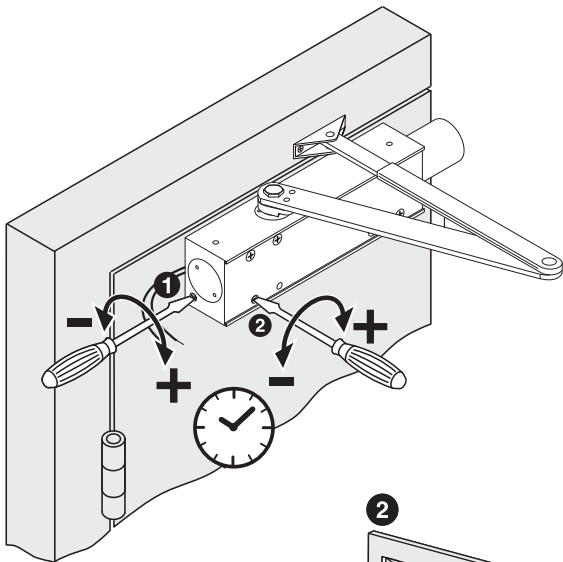
4R



5R

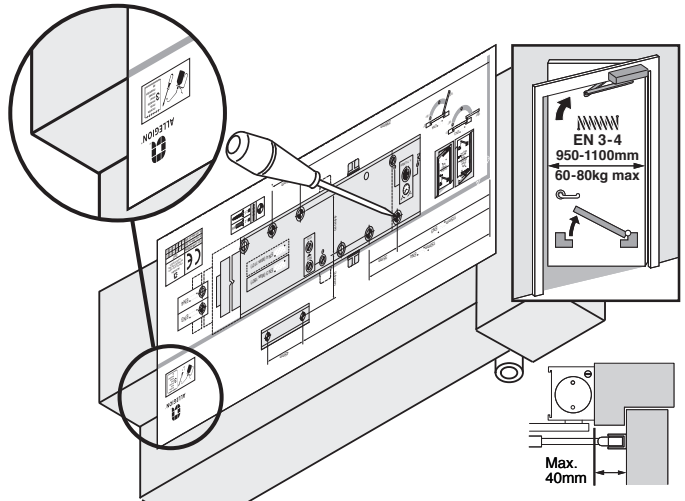
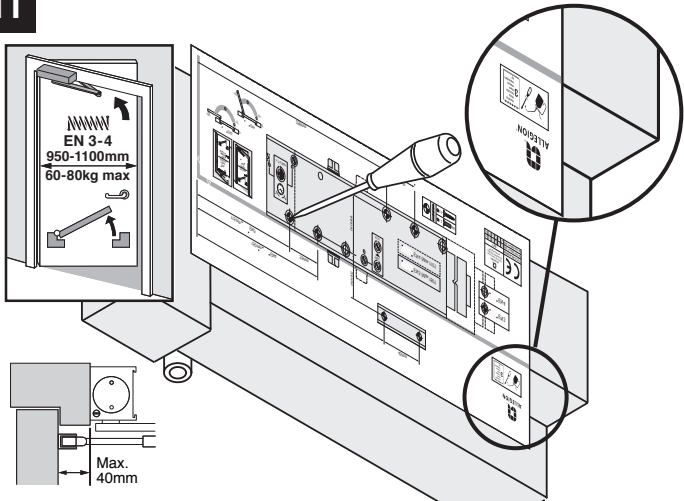


6R

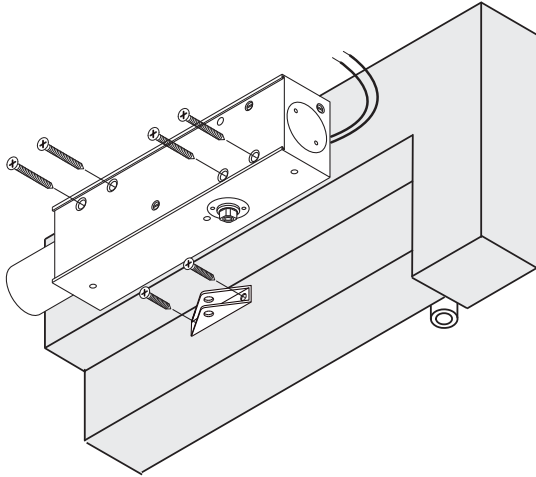
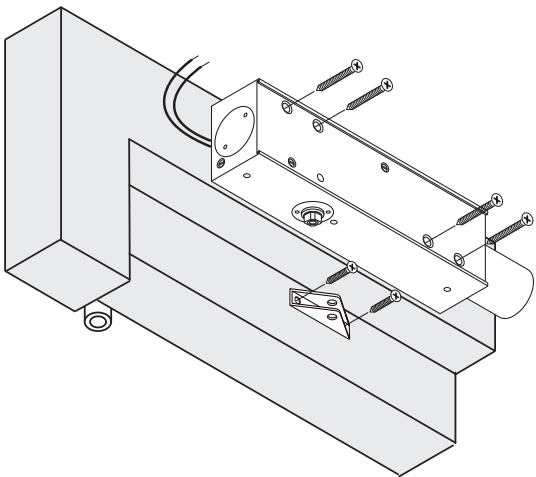


➔ 7

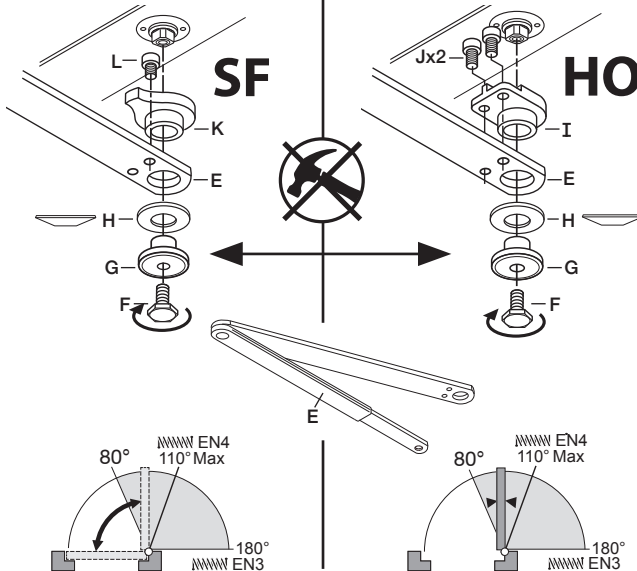
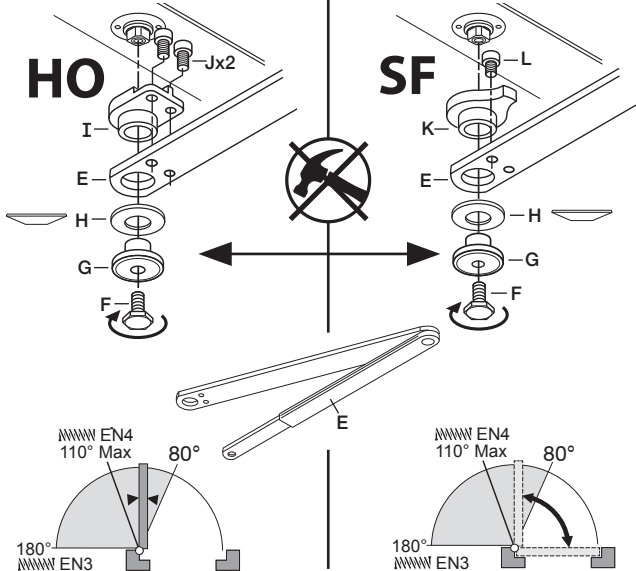
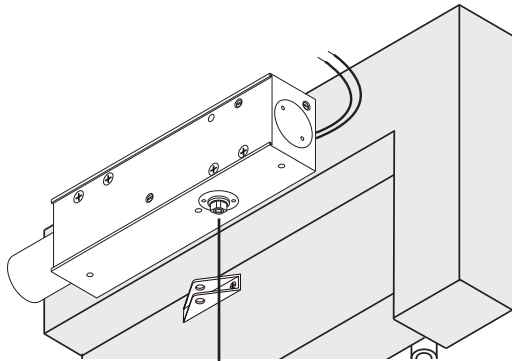
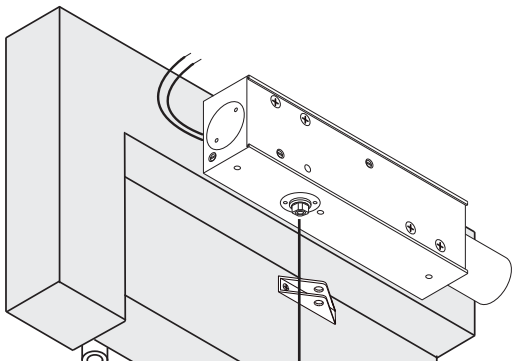
1T

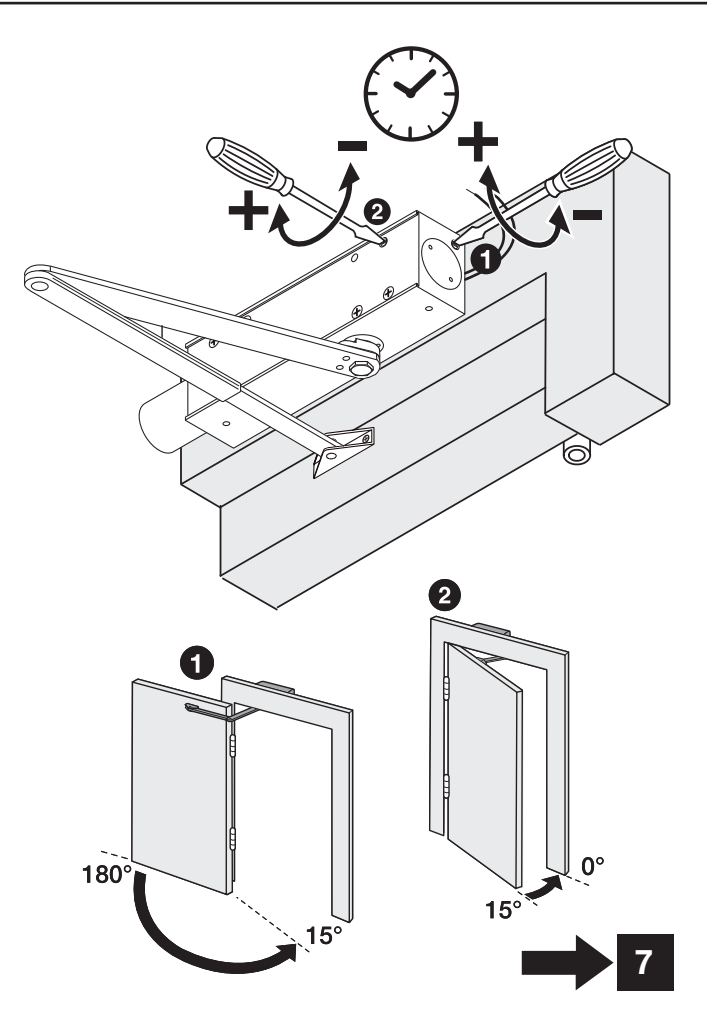
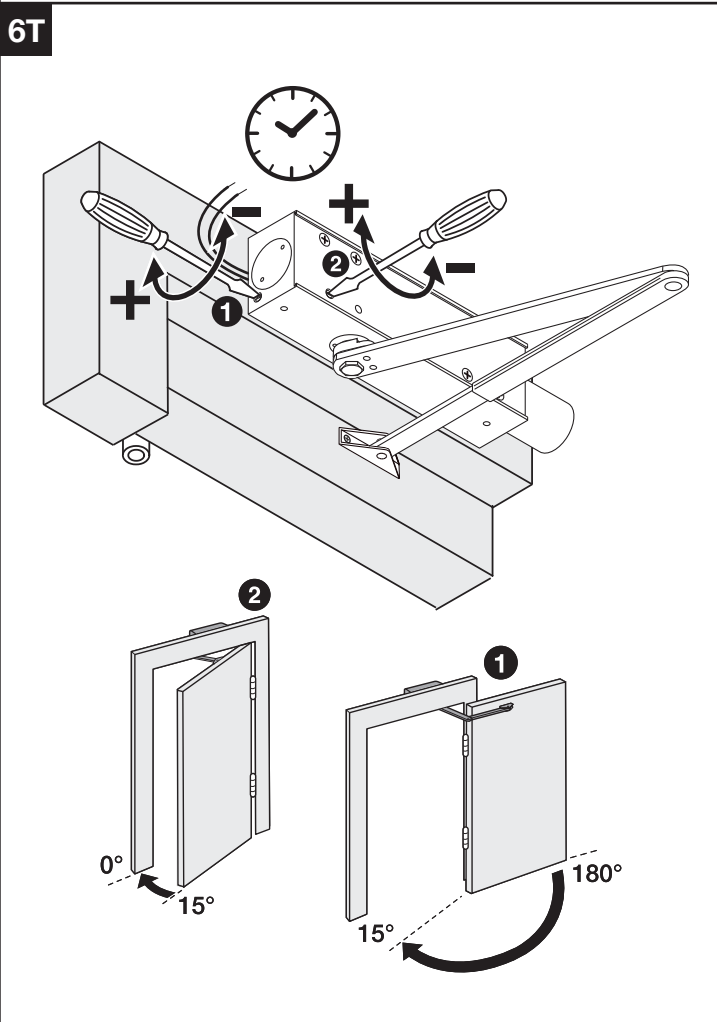
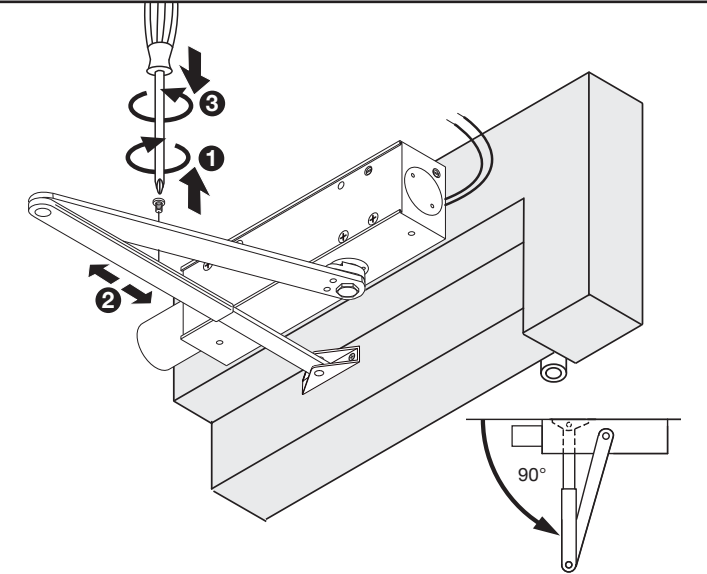
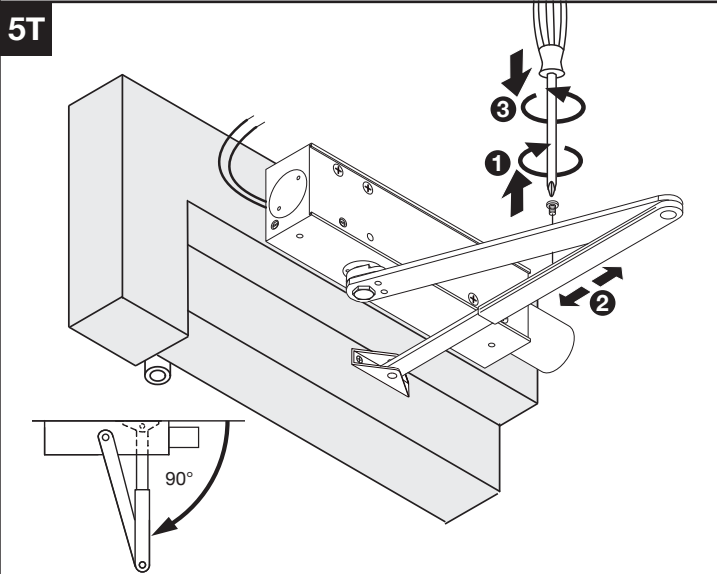
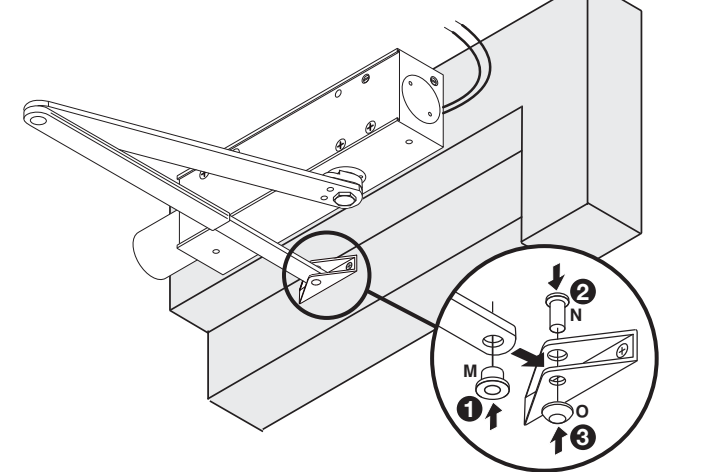
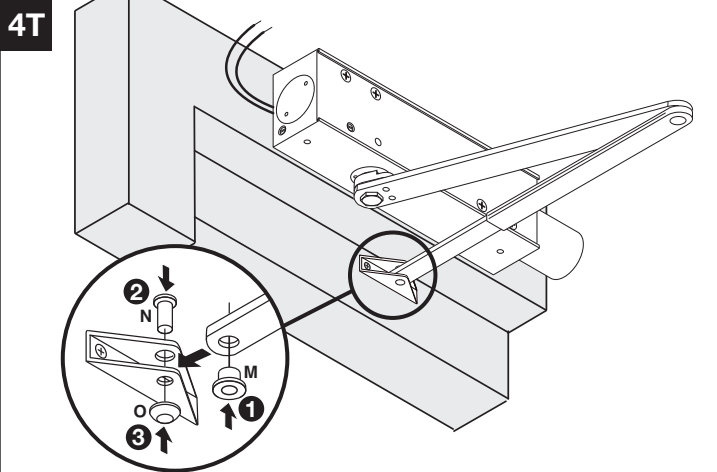


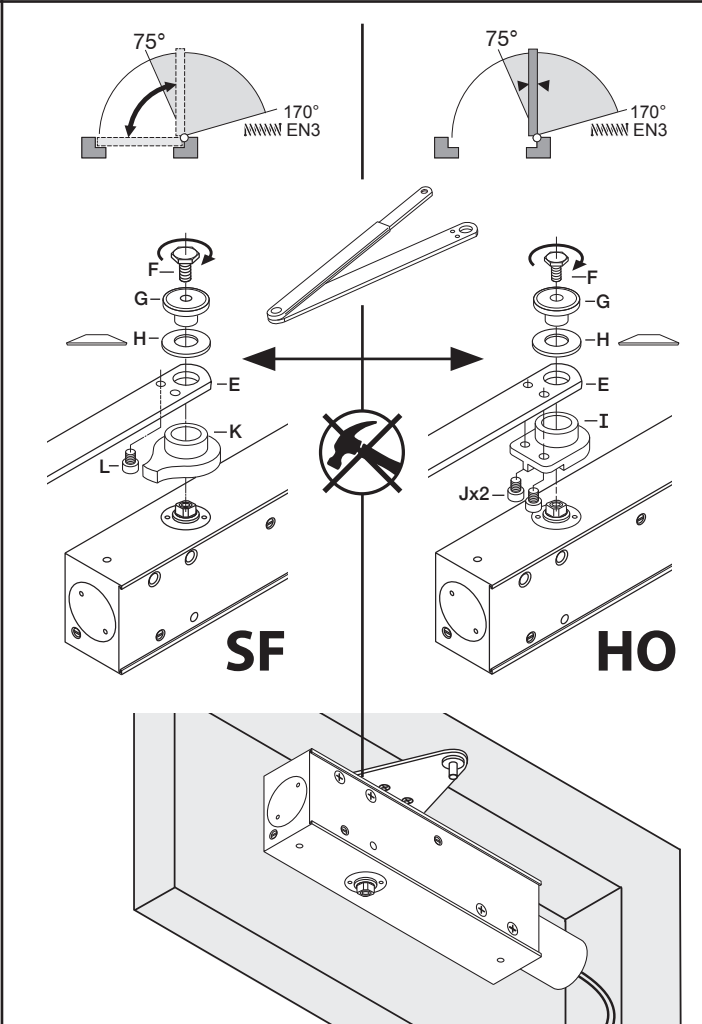
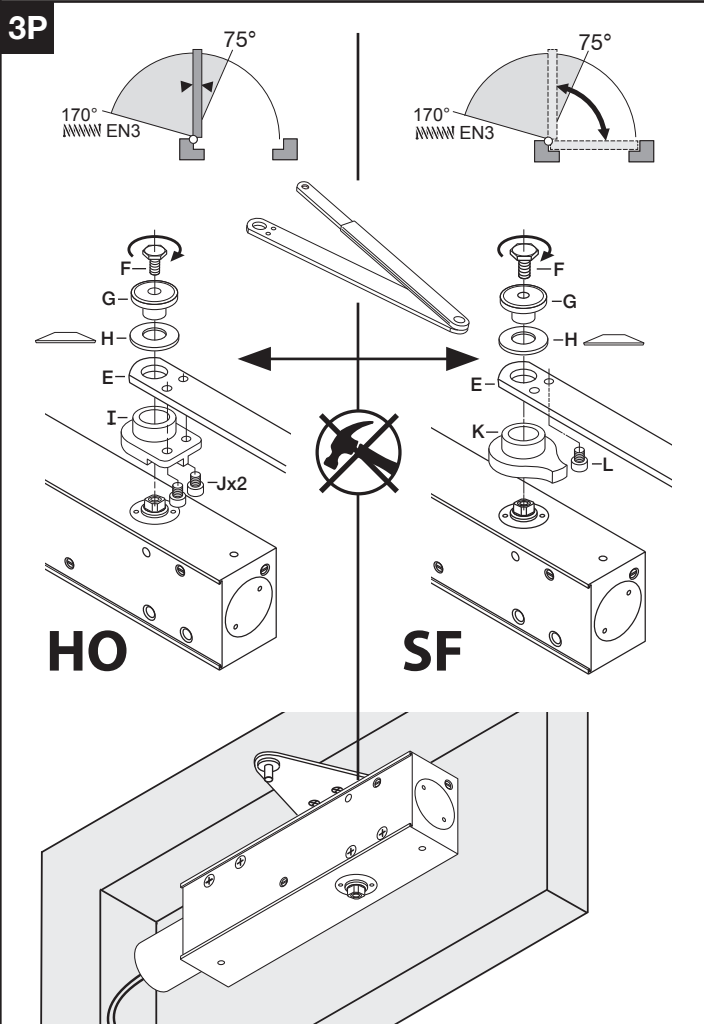
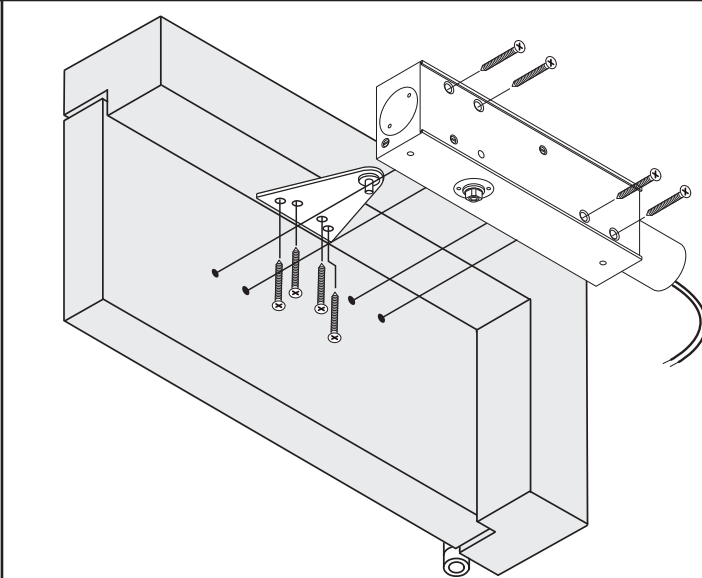
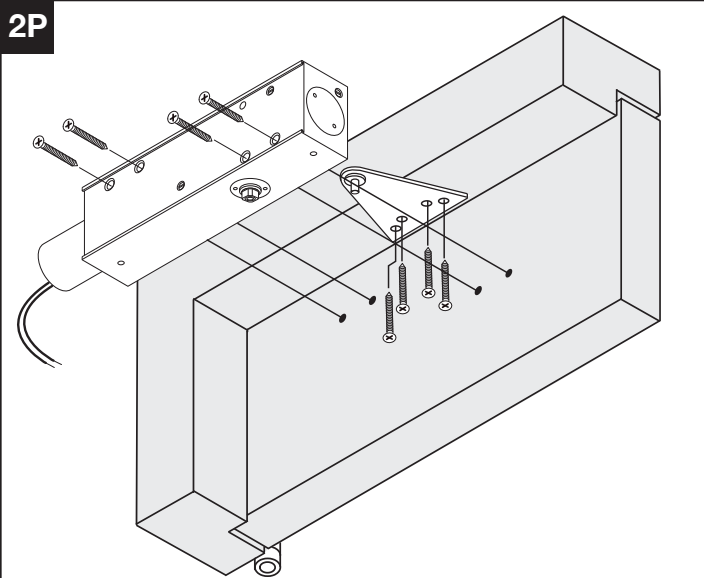
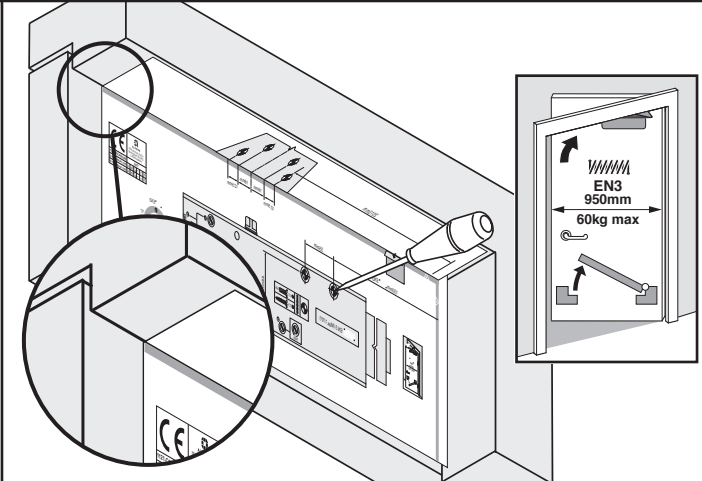
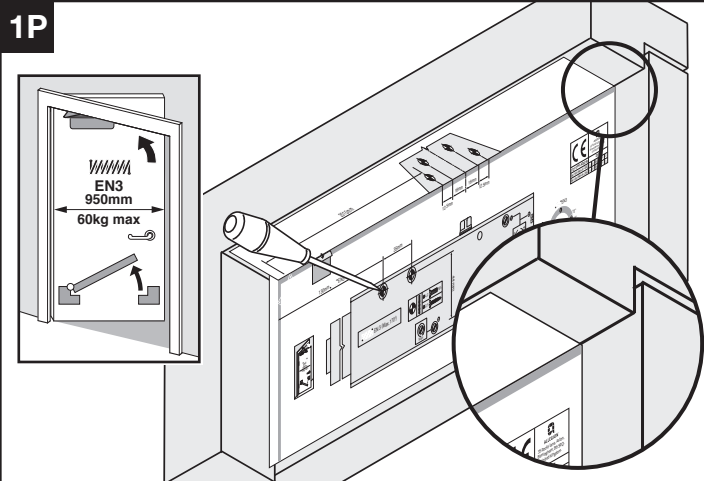
2T



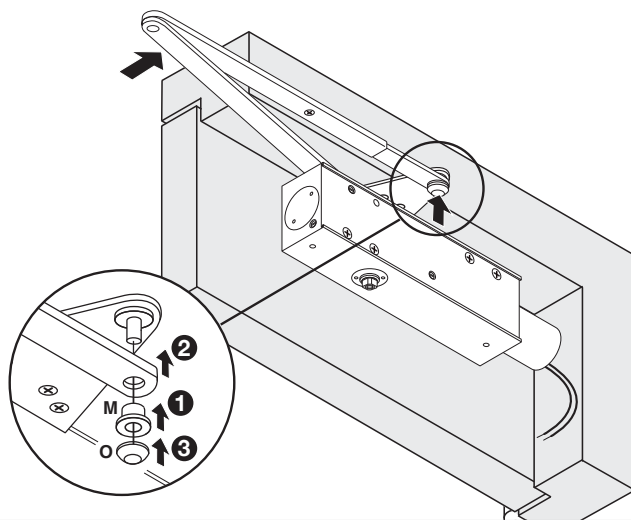
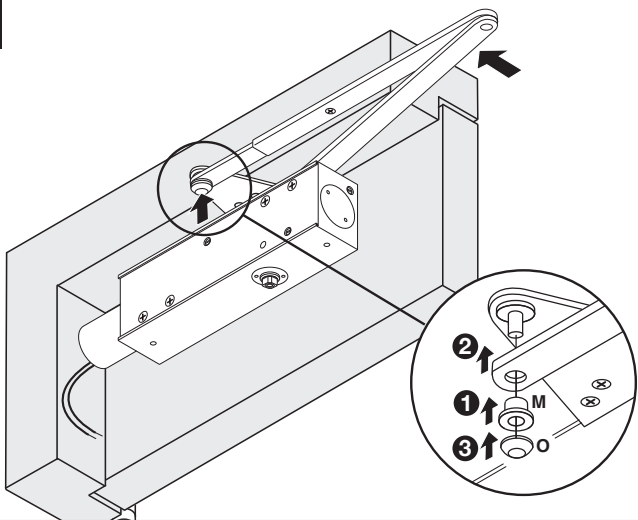
3T



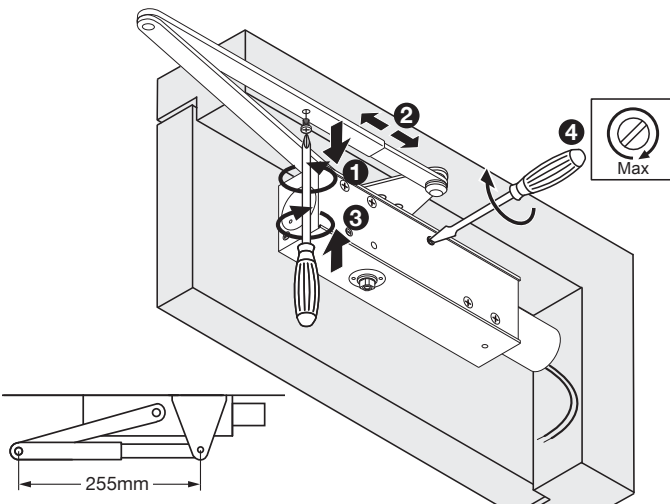
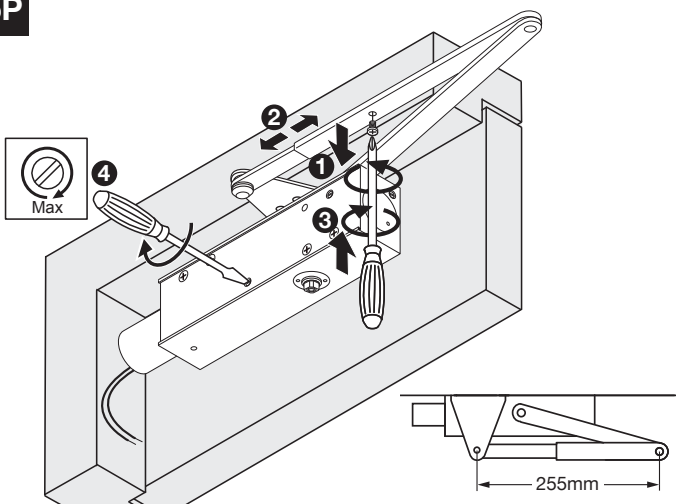




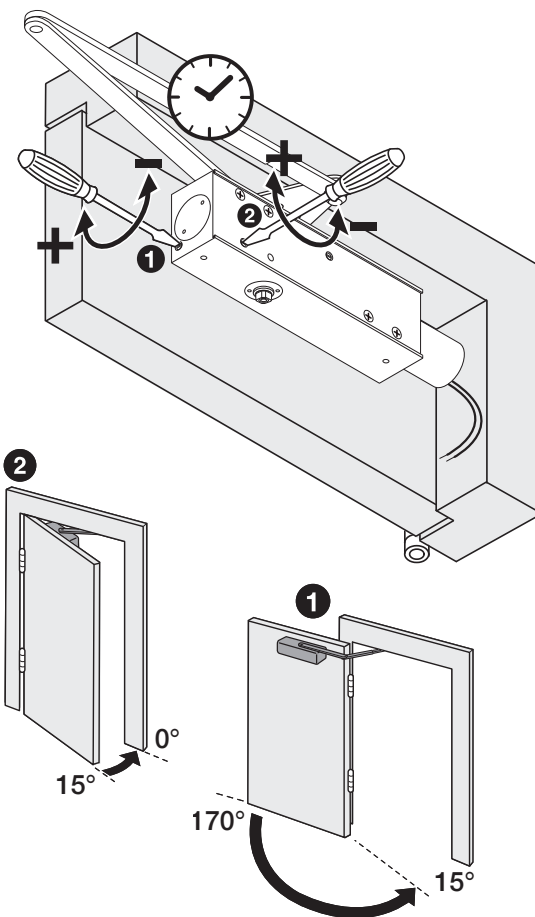
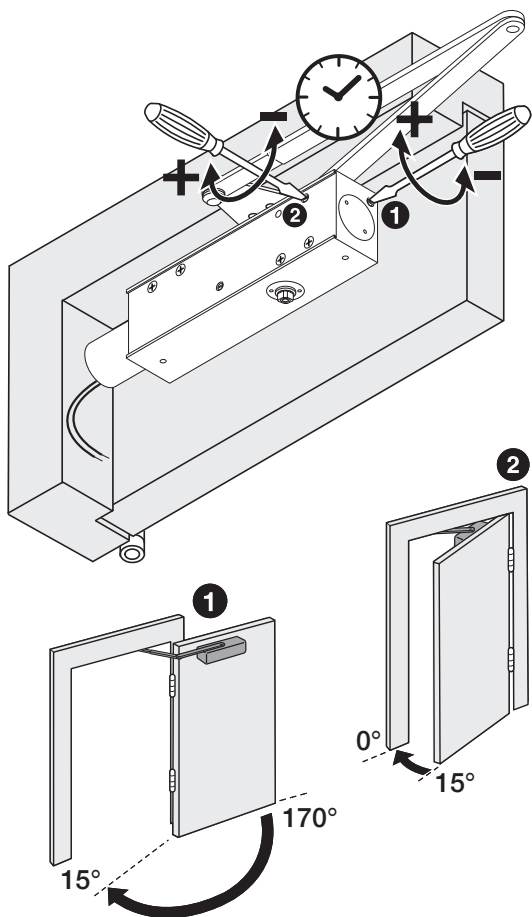
4P



5P

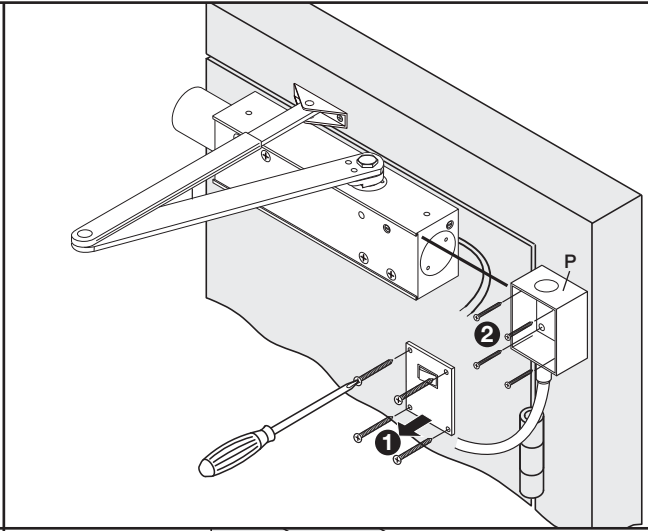
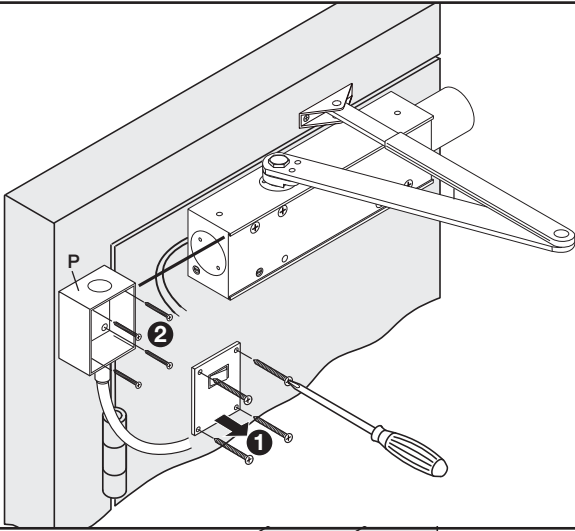


6P

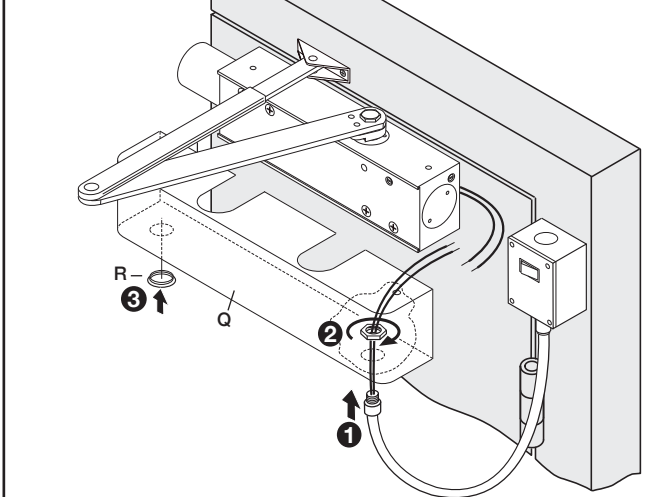
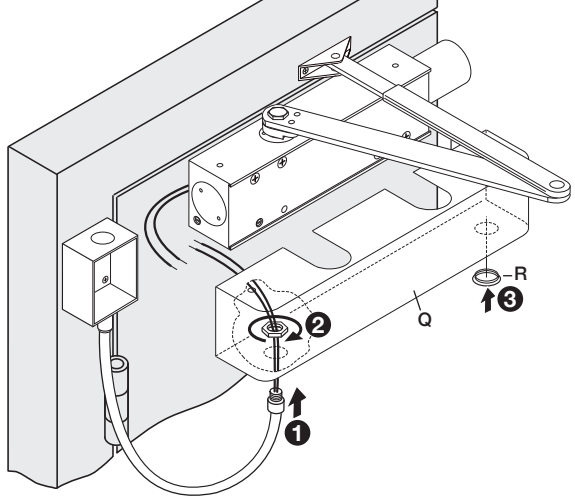


7

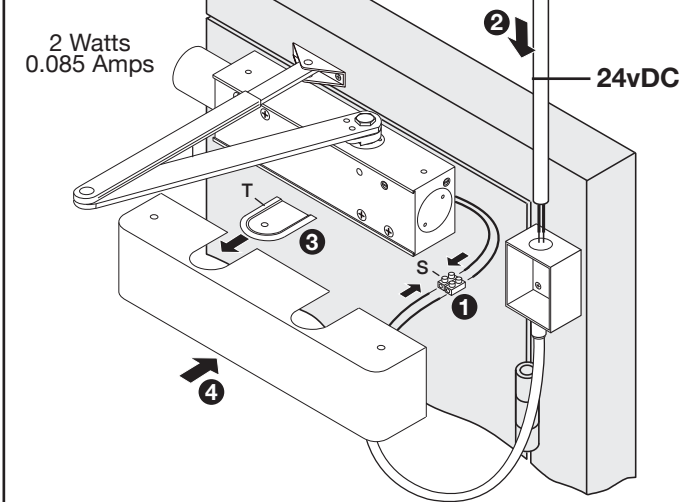
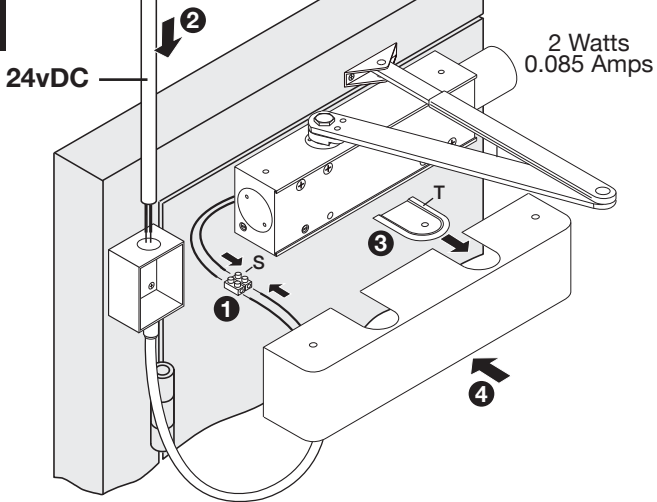
7



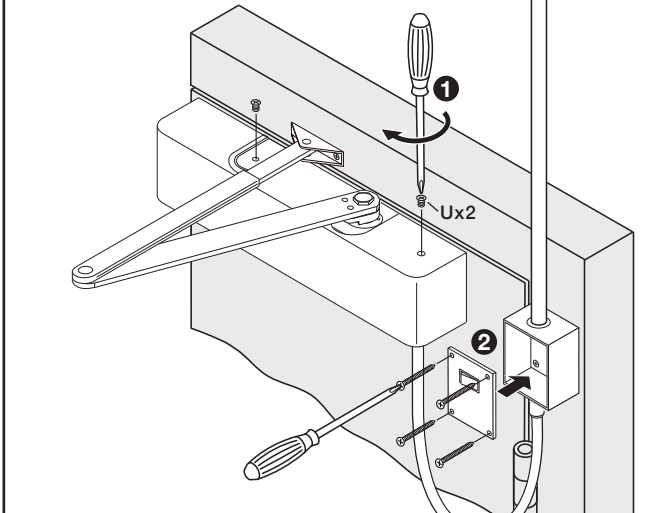
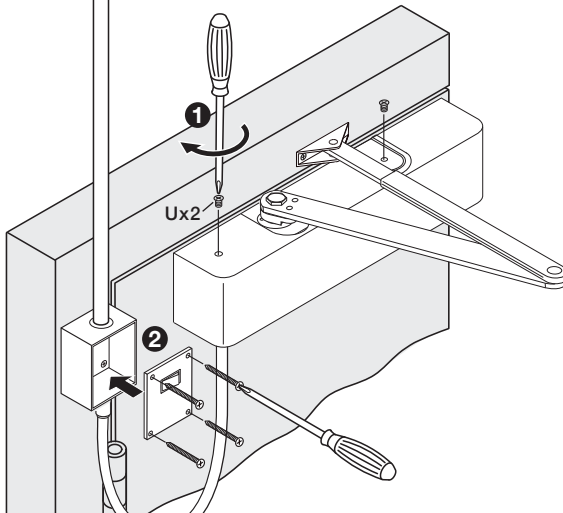
8

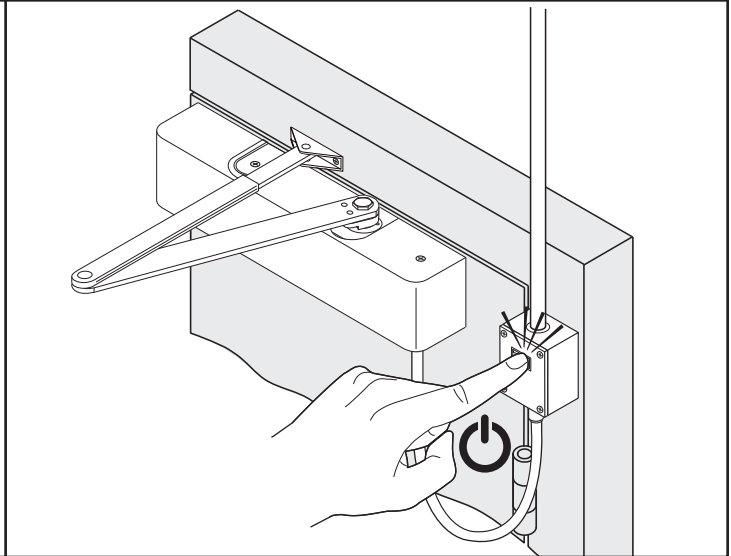
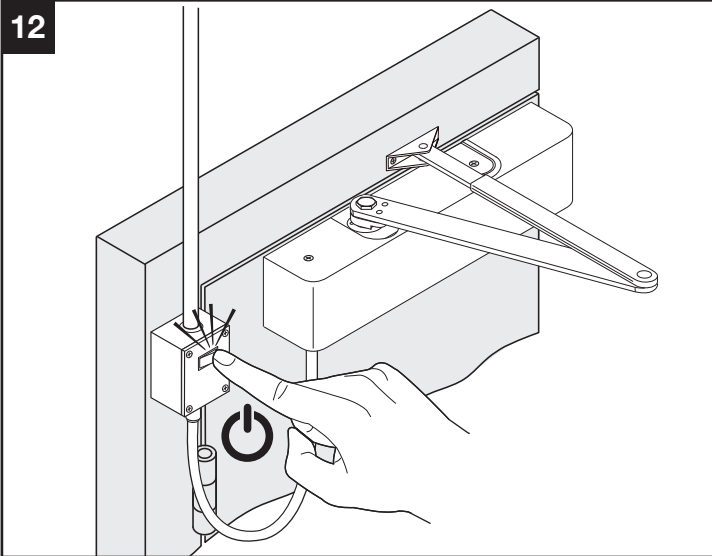
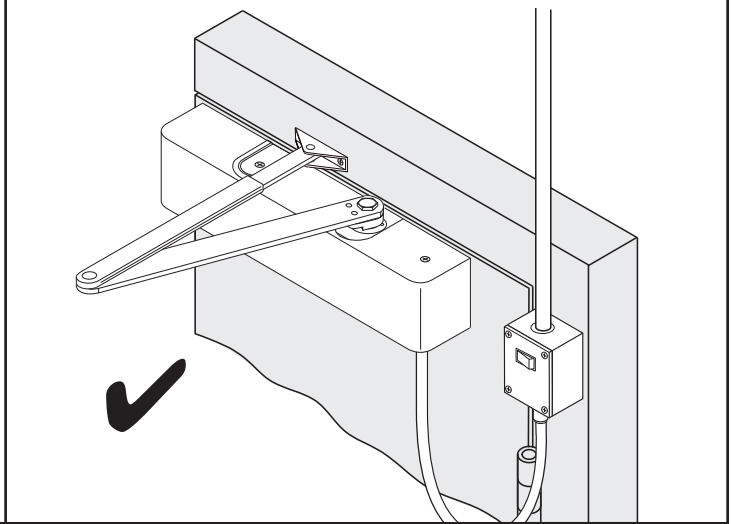
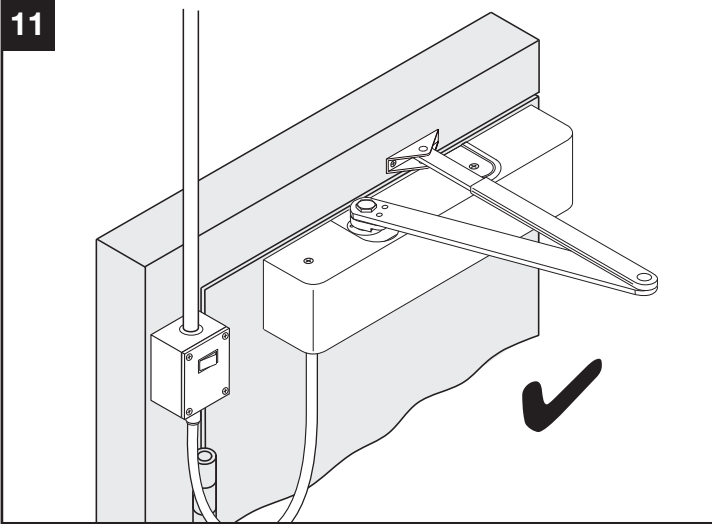


9



10





	 ALLEGION™ 35 Rocky lane, Aston, Birmingham, B6 5RQ, United Kingdom.					
	2812-CPR-AE5012			2017		
	EN 1154:1996+A1: 2002	3	8	3/4	1	1
EN 1155:1996+A1: 2002	3	8	3/4	1	1	3
	1121-CPR-UK- AE7614					
	2021					

