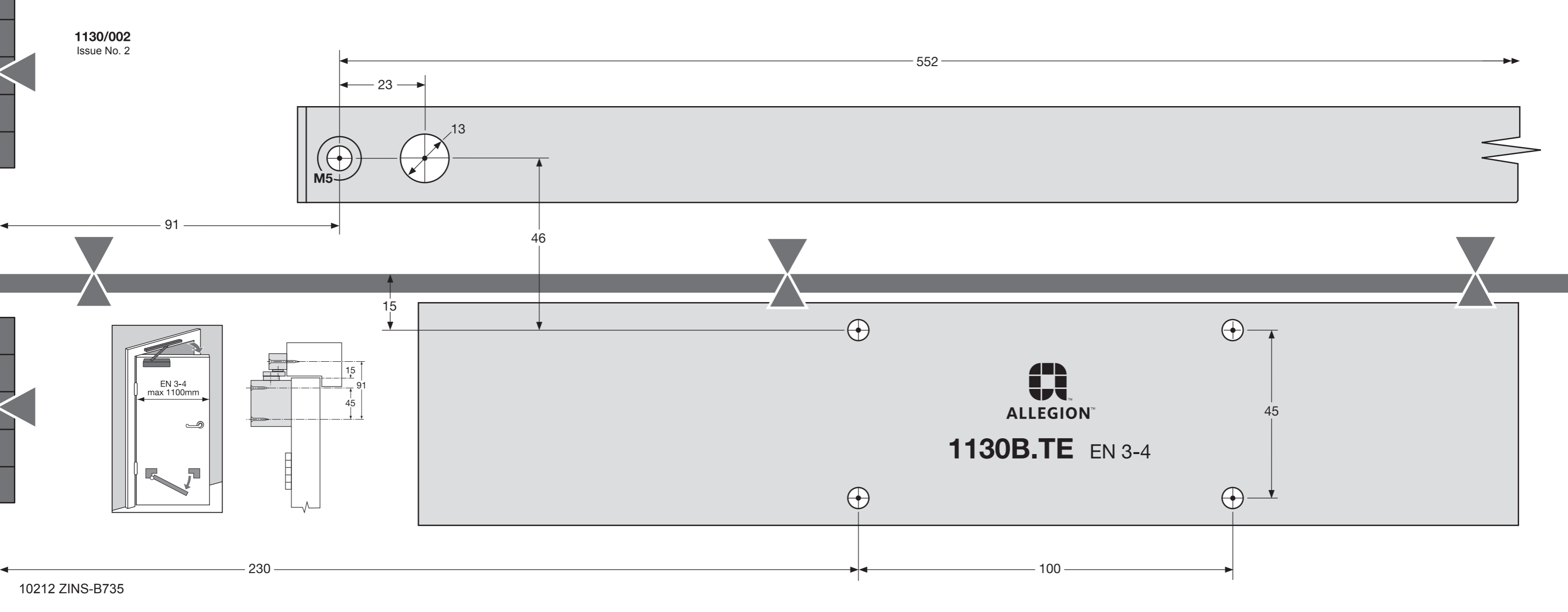


1130/002
Issue No. 2



10212 ZINS-B735

