

Overhead Closer

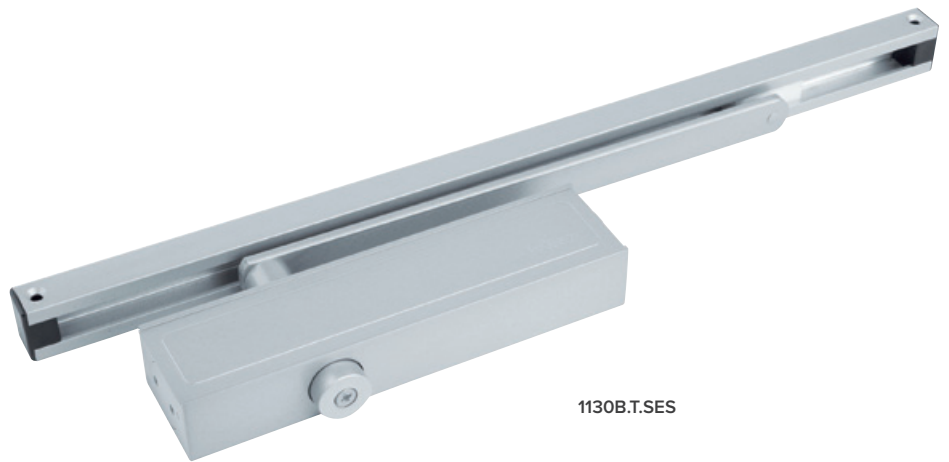
1130B.T
1130B.T.S

Introduction

The Briton 1130B.T is a spring adjustable size EN 2-4 track arm door closer with an aluminum body and built-in backcheck. This compact bodied closer has a slide in trimplate to conceal fixings and is also available with a Softline all-over cover.

Features & Functions

- Spring adjustable power size EN 2-4
- Certified for Regular and Transom mount applications
- Adjustable closing speed & latch action
- Built-in adjustable backcheck to prevent damage to the door and frame
- Universal fittings for Regular or Transom mount fixing
- Fitting template for quick, accurate installation
- Suitable for fire door applications
- Available with slide in trimplate or softline all-over cover to conceal fixings and adjustment screws
- Track arm in matching finish



1130B.T.SES



Certification

CE Marked to EN 1154 (2812-CPR-AD0144)

UKCA Marked to EN 1154 (1121-CPR-UK-AD7599)

Fire tested to EN 1634-1 for use on fire doors up to 2hr timber / 4hr steel [** May be fitted to fully insulated steel based doorsets or uninsulated steel based doorsets where the closer is fitted to the fire risk face only.*]

(*** Softline variant certified for 1hr rating on steel doors*)

Certifire Approved (CF388)

Environmental Product Declaration in accordance with ISO 14025 & EN15804

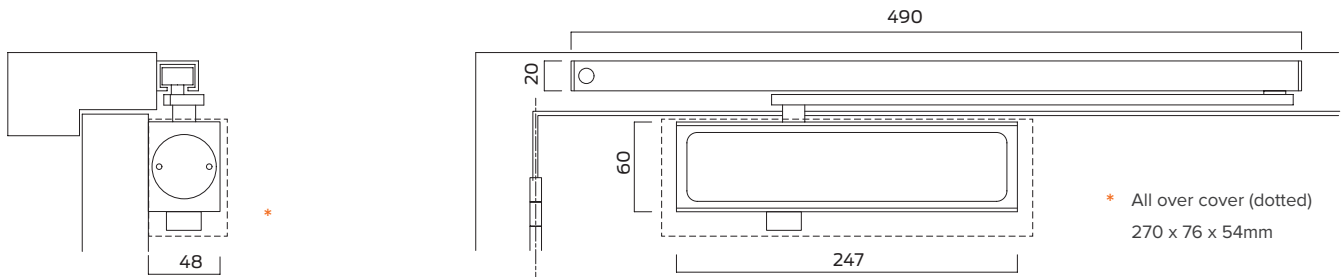
DoP available at www.britondops.co.uk

Overhead Closer Briton 1130B.T

Product features	Product references	
	1130B.T	1130B.T.S
Closer type	Slide track closer	Slide track closer
CE marked	■	■
Variable closing power EN size	2 - 4	2 - 4
Adjustment type	Spring power	Spring power
Maximum angle of opening	180°	180°
Adjustable closing speed & latch action	■	■
Adjustable backcheck	■	■
Suitable for mounting applications	As shown below	As shown below
Mechanical hold-open facility (non fire doors only)	□	□
Cover variants	Trimplate	S cover
Finishes available	SES	SES, SSS
CE Classification	4 8 2-4 1 1 3	4 8 2-4 1 1 3

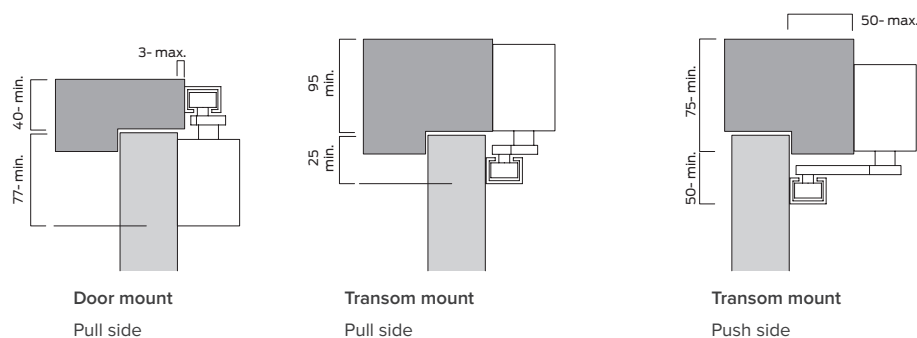
- Standard
- Available as an option/variant

Closer with trimplate (all over cover option dotted)



* All over cover (dotted)
270 x 76 x 54mm

All dimensions are in mm



Finishes

All finish variants are supplied with matching armset and brackets.
Other sprayed finishes are available on request.



Accessories & Parts

1130B.T.AP	Track arm pack
1130.HP	Hold-open conversion kit
1130.F.PLT	Fixing plate
1130.TPB	Trimplate

General Maintenance

Door controls

In research, Allegion has identified that 95% of all problems associated with overhead door closers can be attributed directly to errors in installation rather than problems with the door closer itself. If the door is not closing properly into the frame you should first disconnect the door closer (disconnect the arm(s)) and determine that there is not an underlying problem with the door, frame or any smoke / draft seals that might be fitted.

PLEASE NOTE:

The power of the door closer should not be used to overcome problems associated with the door or other items of hardware fitted to it. Under no circumstances should the closer body be dismantled.

Types of maintenance

Much of the routine maintenance recommended consists of a combination of visual and mechanical checks, cleaning and lubrication. Look out for the icons opposite which provide a 'quick glance' reminder of the maintenance required.

Visual checks

Primarily making a visual check on the product and surrounding door/frame looking for wear, damage, and general condition.



Functional checks

Consists of checking that the product operates properly ensuring the door can fully close without any binding or undue force required. Check that any seals or weatherstripping do not inhibit correct operation of the door



Check fixings

Fixings need to be checked regularly and tightened when necessary. Check that no projection of fixings prevents the door from swinging freely.



Lubricating

Some products will benefit from periodic lubrication using a light machine oil or as instructed.



Cleaning

Build up of grease, dust and harmful chemicals should be removed to prevent corrosion and maintain the product finish.



Closer Maintenance

WEEKLY

Release the door from the fully open position and ensure that it closes fully into the frame. Ensure the latch (if fitted) engages fully into the strike plate. Repeat the process a few times from different angles of opening to ensure the door closes consistently each time.



Check and adjust the closing and latching speeds if necessary.

Check the backcheck comes into operation at the desired angle and readjust if necessary.

Check that the door or hardware does not come into contact with the door frame or the surrounding structure.



QUARTERLY

The fixings of the closer body and the slide track are subject to stress and should be checked carefully to make sure they are tight.



Periodically apply a little light machine oil to the moving joints of the arm and slide track.



Check any fire and smoke seals to ensure they do not foul the action of the door.



Check for any loss of fluid from the door closer body which would indicate a failing device.

Clean the closer body, arms and track if necessary following the guidance on "Care of Finishes" on page 16 of the "Service & Maintenance Guide".



FIRE DOOR APPLICATIONS

When installed as part of a fire precaution system the door closing mechanism, including the door selector if used on a double door arrangement, should be checked in accordance with standing periodic fire testing procedures.

Routinely check that all fixings of the closer body and track are tight.

Routine care of finishes as necessary.