

Panic Exit Hardware

Introduction

The Briton 376 panic bolt is a market leader in EN 1125 standard suitable for both timber and metal door installation. This 2 point locking device is designed to satisfy the requirements for panic and emergency exit applications. Ideal for use on escape routes where personnel have not been trained in the location and operation of the building's exit devices.

NOTE: The most important consideration when specifying panic exit hardware is who might be in the building in the event of an emergency.

Features & Functions

- For single doors and double rebated doors (in combination 378 panic latch and the 378DDS double door strike) and non rebated doors (in combination with Briton 376 Panic bolt)
- Products designed to satisfy panic or emergency exit applications
- Suitable for use on fire & smoke doors up to 1300mm wide
- Site reversible - easy to hand on site
- Two-point locking for extra security
- Anti-thrust device, prevents forced latch retraction
- Adjustable top & bottom shoots
- Tubular steel cross bar and shoots can be cut on-site to suit door width and height
- Tested in excess of 200,000 cycles
- All versions supplied with fixings and self-adhesive "Push Bar to Open" signage
- Options include alarm activation, manual hold-open (dogging) and quiet closer pullman latches

376
376M
376.P
376.PD



376.SE

Standard top latch

Top Pullman latch



Certification

CE Marked to EN 1125 (2812-CPR-AAA011)

UKCA Marked to EN 1125 (1121-CPR-UK-AAA7569)

Fire tested to EN 1634-1 for use on fire doors up to 2hr timber / 4hr steel

Certifire Approved (CF5506)

Environmental Product Declaration in accordance with ISO 14025 and EN 15803

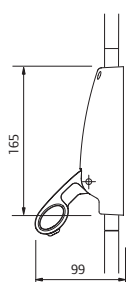
DoP available at www.britondops.co.uk

Panic Exit Bolt Briton 376

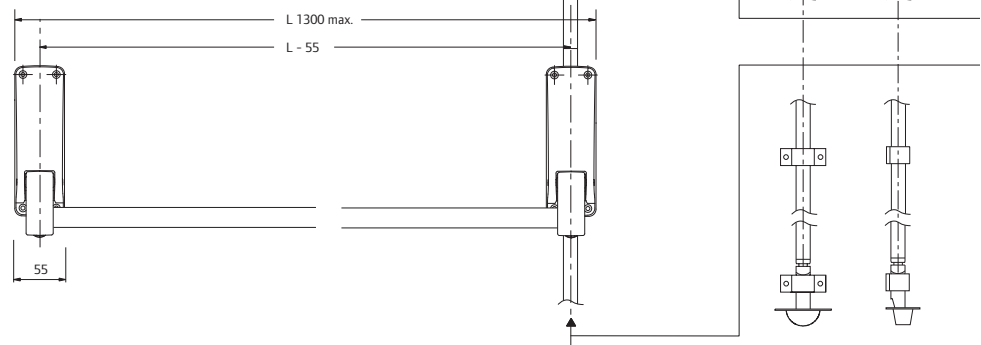
Product features	Product references			
	376	376.P	376.PD	376M
CE marked	■	■	■	■
Panic exit device to EN 1125	■	■	■	■
Emergency exit device to EN 179	■	■	■	■
Device type	Push bar	Push bar	Push bar	Push bar
Locking points	Double vertical bolts	Double vertical bolts	Double vertical bolts	Double vertical bolts
Suitable for timber or metal doors	timber	timber	timber	metal
Suitable for single doors	■	■	■	■
Suitable for double door combinations	✱	✱	✱	✱
Min. / Max. door width (per leaf)	665mm/1300mm			
Max. door height	2500mm (shoot extensions are available for taller doors - 376.ELTS)			
Push bar cut on site	■	■	■	■
Site reversible	■	■	■	■
Quiet close Pullman latches		■	■	
Dogged hold-open facility			■	
Finishes available	SE, SS*, PB*, PS*	SE, SS*, PB*, PS*	SE, SS*, PB*, PS*	SE, SS*, PB*, PS*
CE Classification	376B1322AA	376B1322AA	376B1322AA	376B1322AA

✱ Used as a pair on non rebated doors or in combination with a Briton 378 rim latch fitted to the first opening leaf of rebated double doors.

Briton 376 Vertical Bolts



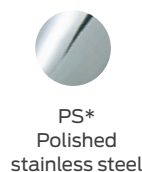
All dimensions are in mm



Finishes

Available in powder coated and PVD plated finishes.

Silver (SE) finish is powder coated for increased durability having salt-spray tested in excess of 240 hours.



* PVD plated finishes

Panic Exit Hardware

Accessories

A range of additional or alternative components is available for the 376 Series of exit hardware.



376ELTS - Extra long top shoot

Suitable for doors that require the push bar to be in a lower position e.g schools. It can also be used on doors up to 3350mm high.



376FFKP - Flush face keeper plate

For applications where there is a flush head frame a flush face keeper plate can be used to secure the bolt.



378DDS - Double door strike

For use on double rebated door applications. Supplied as standard with Briton 377.



Pullman latches

Pullman latches provide a smooth and quiet operation and are supplied as standard on Briton 376.P, 372.P and 376.PD.

Upgrade kits 376/931 can be supplied separately.

Also available with metal threaded screws (376M.P, 372M.P).

Fixings

All Briton exit devices are supplied with self-tapping screws suitable for timber and metal doorsets.

For customers who prefer machine screws, alternative fixing packs are available.



379MDS metal box strike

For use with Briton 379.N mortice panic nightlatch.

376 Series



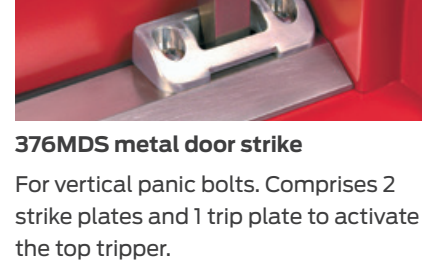
378MDS metal door strike

for use with Briton 378 rim devices on single doors, or on the first opening leaf of a double rebated application.



376MDS metal door strike

For vertical panic bolts. Comprises 2 strike plates and 1 trip plate to activate the top tripper.



376MDS metal door strike

For vertical panic bolts. Comprises 2 strike plates and 1 trip plate to activate the top tripper.

General Maintenance

Exit hardware

All panic hardware installation will be operated by a horizontal “Push bar” or “Touch bar” which runs across the width of the door. The operating bar will be used to operate anything from a single rim latch to multipoint side or top/bottom latches.

Top and bottom latches on Briton 376 panic exit hardware are operated by solid rods which are connected to the operating bar.

MAINTENANCE AND CHECKING FUNCTION

In view of the important role the panic and emergency exit device plays in maintaining the safety and security of your building and its occupants, it is recommended that routine maintenance checks are carried out at intervals of not more than 1 month by the occupier or their approved representative.

Types of maintenance

Much of the routine maintenance recommended consists of a combination of visual and mechanical checks, cleaning and lubrication. Look out for the icons opposite which provide a ‘quick glance’ reminder of the maintenance required.

Visual checks

Primarily making a visual check on the product and surrounding door/frame looking for wear, damage, and general condition.



Functional checks

Consists of checking that the product operates properly without any binding or undue force required. Check that any seals or weatherstripping do not inhibit correct operation of the door.



Check fixings

Fixings need to be checked regularly and tightened when necessary. Check that no projection of fixings prevents the door from swinging freely.



Lubricating

Some products will benefit from periodic lubrication using a light machine oil or as instructed.

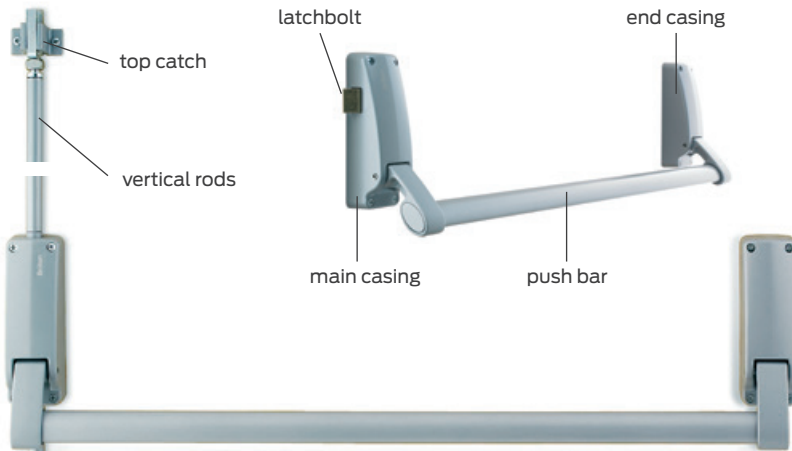


Cleaning

Build up of grease, dust and harmful chemicals should be removed to prevent corrosion and maintain the product finish.



Exit Hardware Maintenance



MONTHLY

Briton panic exit devices must be fitted to comply with the requirements of EN 1125 which states that the device should be easily operated by hand or body pressure in a panic situation. We suggest the following checks be made on all panic and emergency exit hardware:

- Inspect and operate the device to ensure all the components are in satisfactory working condition and operate as follows:
 - a. After being pushed the 'Push bar' or 'Push Pad' should return automatically to its initial position.
 - b. When pushed from the end casing side (hinge side of door) the latchbolt(s) should completely withdraw from their strikers as if it were pushed from the main casing side.
- **IMMEDIATE EXIT MUST BE PERMITTED.**
 - c. With the door closed, the latchbolts should be fully engaged into their strikers. They should not withdraw if pushed but should only withdraw if operated by the 'Push bar'.
 - d. If necessary upper and lower pullman latches can be adjusted to ensure the accuracy of latching.
- Inspect strikers and ensure they are clean and free from obstruction.
- Ensure the door closes fully into the frame and there are no obstructions.
- Check that the door has not become distorted in any way. If the door does not meet the frame stops and cannot be pulled in by the door closer the door may need to be replaced.
- Check that the door hinges are operating smoothly and lubricate if necessary.
- Check that the latches are operating freely. If necessary remove the end box covers and/or pullman latch covers and lubricate if necessary.
- Check that all fixings are tight.

If problems persist and for some reason the panic device does not operate properly, consult your approved supplier or contact the Allegion Customer Care Team on 0330 8080 617

